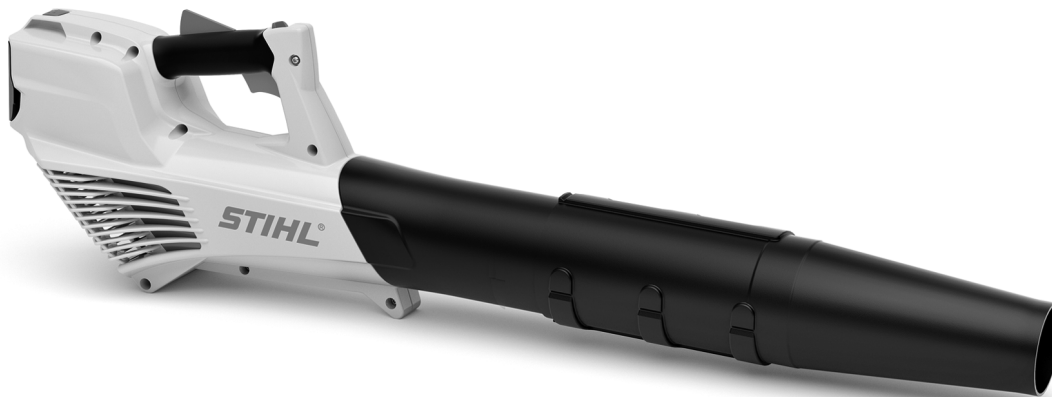


STIHL®

STIHL BGA 56

Instruction Manual
Manual de instrucciones



! WARNING

Read Instruction Manual thoroughly before use and follow all safety precautions – improper use can cause serious or fatal injury.

! ADVERTENCIA

Antes de usar la máquina lea y siga todas las precauciones de seguridad dadas en el manual de instrucciones – el uso incorrecto puede causar lesiones graves o mortales.



Instruction Manual

1 - 29

Manual de instrucciones

30 - 60

Contents

1	Introduction	2	13	Assembling the Blower	17
2	Guide to Using this Manual	2	13.1	Mounting and Adjusting the Nozzle	17
2.1	Signal Words	2	14	Inserting and Removing the Battery	18
2.2	Symbols in Text	3	14.1	Inserting the Battery	18
3	Main Parts	3	14.2	Removing the Battery	18
3.1	Blower, Battery and Charger	3	15	Switching the Blower On and Off	19
4	Safety Symbols on the Products	4	15.1	Switching On	19
4.1	Blower, Battery and Charger	4	15.2	Switching Off	19
5	IMPORTANT SAFETY INSTRUCTIONS	5	16	Checking the Controls	20
5.1	Introduction	5	16.1	Testing the Controls	20
5.2	Intended Use	5	17	During Operation	20
5.3	Operator	5	17.1	Using the Blower	20
5.4	Personal Protective Equipment	6	18	After Finishing Work	21
5.5	Blower	6	18.1	Preparing for Transportation or Storage	21
5.6	Using the Blower	7	19	Transporting the Blower and Battery	21
6	Battery Safety	10	19.1	Blower	21
6.1	Warnings and Instructions	10	19.2	Battery	21
7	Charger Safety	12	20	Storing the Blower, Battery and Charger	22
7.1	Warnings and Instructions	12	20.1	Blower	22
8	Maintenance, Repair and Storage	13	20.2	Battery	22
8.1	Warnings and Instructions	13	20.3	Charger	22
9	General Warnings and Instructions	14	21	Cleaning	23
9.1	General Safety Warnings and Instructions for Battery-Powered Products	14	21.1	Cleaning the Blower, Battery and Charger	23
10	Before Starting Work	15	22	Inspection and Maintenance	23
10.1	Preparing the Blower for Operation	15	22.1	Inspecting and Maintaining the Blower	23
11	Charging the Battery	15	23	Troubleshooting Guide	24
11.1	Setting up the Charger	15	23.1	Blower and Battery	24
11.2	Charging	15	23.2	Charger	25
12	LED Diagnostics	16	24	Specifications	26
12.1	LEDs on the Battery	16	24.1	STIHL BGA 56	26
12.2	LED on the Charger	17	24.2	STIHL AK Series Battery	26
			24.3	STIHL AL 101	26

STIHL®

This instruction manual is protected by copyright. All rights reserved, especially the rights to reproduce, translate and process with electronic systems.

24.4 Symbols on the Blower, Battery and Charger.....	26
24.5 FCC 15 Compliance Statement for Power Tool and Charger.....	27
25 Replacement Parts and Equipment.....	27
25.1 Genuine STIHL Replacement Parts.....	27
26 Disposal.....	27
26.1 Disposal of the Blower and Charger.....	27
26.2 Battery Recycling.....	27
27 Limited Warranty.....	28
27.1 STIHL Incorporated Limited Warranty Policy.....	28
28 Trademarks.....	28
28.1 Registered Trademarks.....	28
28.2 Common Law Trademarks.....	28
29 Addresses.....	29
29.1 STIHL Incorporated.....	29

1 Introduction

Thank you for your purchase. The information contained in this manual will help you receive maximum performance and satisfaction from your blower and, if followed, reduce the risk of injury from its use.

SAVE THIS MANUAL!



Because a blower is a high-speed battery-powered tool, special safety precautions must be observed to reduce the risk of personal injury.



Read this instruction manual thoroughly before use and periodically thereafter. Follow all safety precautions. Careless or improper use of the blower can cause serious or fatal injury.

Do not lend or rent the blower without this instruction manual. Allow only persons who fully understand the information in this manual to operate the blower.

For further information, or if you do not understand any of the instructions in this manual, please go to www.stihlusa.com (for Canada: www.stihl.ca) or contact your authorized STIHL servicing dealer.

2 Guide to Using this Manual

2.1 Signal Words

This manual contains safety information that requires your special attention. Such information is introduced with the following symbols and signal words:



DANGER

Indicates a hazardous situation that, if not avoided, will result in death or serious injury.

⚠ WARNING


Indicates a hazardous situation that, if not avoided, could result in death or serious injury.

NOTICE

Indicates a risk of property damage, including damage to the machine or its individual components.

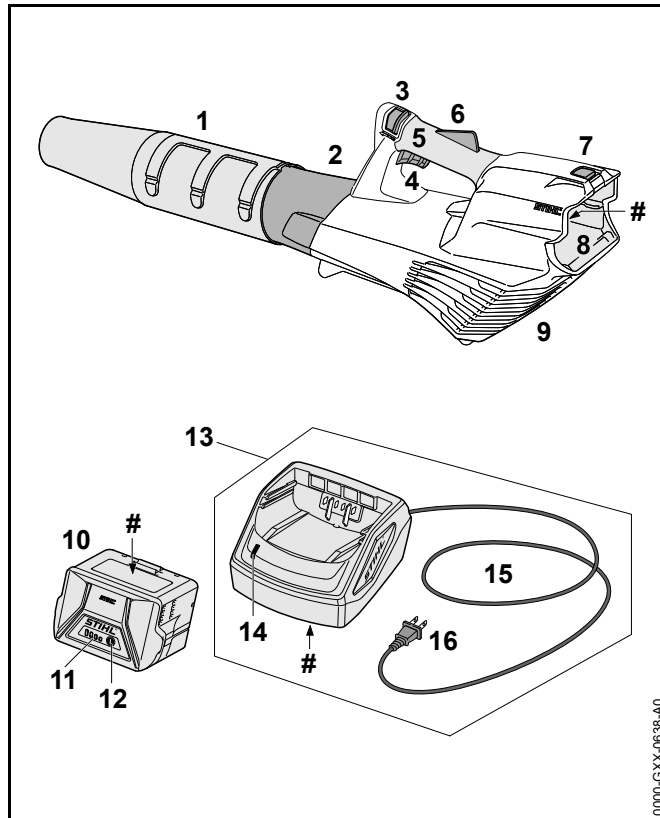
2.2 Symbols in Text

The following symbol is included to assist you with the use of the manual:

 Refers to a designated chapter or sub-chapter in this instruction manual.

3 Main Parts

3.1 Blower, Battery and Charger



- 1 Nozzle**
Directs and concentrates the airstream.
- 2 Blower Tube**
Directs the airstream.
- 3 Retaining Latch**
Locks the trigger switch.

4 Trigger Switch

Switches the motor on and off.

5 Control Handle

The blower's handle.

6 Trigger Switch Lockout

Must be depressed while the retaining latch is unlocked to allow activation of the trigger switch.

7 Locking Lever

Secures the battery in the battery compartment.

8 Battery Compartment

Holds the battery.

9 Intake Screen

Fits over the air intake opening and reduces risk of direct contact with the blower fan.

10 Battery

Supplies electrical power to the motor.

11 Battery LEDs

Indicate the battery's state of charge and display error messages regarding potential malfunctions in the battery or power tool.

12 Push Button

Activates the battery's LEDs.

13 Charger

Charges the battery.

14 Charger LED

Indicates the operating status of the charger.

15 Power Supply Cord

Supplies the charger with electricity when plugged into a wall outlet.

16 Plug

Connects the power supply cord to a wall outlet.

Rating Plate

Contains electrical information and the product's serial number.

4 Safety Symbols on the Products

4.1 Blower, Battery and Charger

The following safety symbols are found on the blower, battery and/or charger:



To reduce the risk of injury, follow the specified safety precautions.



Read and follow all safety precautions in the instruction manual. Improper use can lead to serious or fatal personal injury or property damage.



To reduce the risk of eye and head injury, always wear proper eye protection, 5.4.



To reduce the risk of personal injury, keep hair and loose-fitting clothing away from the air intake, 5.4.

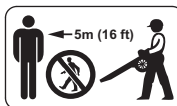


To reduce the risk of injury or property damage from unintended activation, remove the battery any time the blower is not in use, 5.6.1.



To reduce the risk of electric shock, do not expose the blower to rain, water or excessive moisture. Store it indoors. If it is exposed to rain or very damp conditions, take it to your authorized STIHL servicing dealer before further operation, 5.5.

To reduce the risk of personal injury or property damage from fire or electric shock, keep the charger dry. Protect it from rain, water, liquids and damp conditions. For indoor use only, 7.1.



To reduce the risk of personal injury from high velocity air flow and blown objects, keep bystanders at least 16 ft. (5 m) away, 5.6.4.



To reduce the risk of personal injury or property damage from fire, explosion or burns, including chemical burns, do not disassemble, crush, drop, damage or heat the battery above 212 °F (100 °C). Never expose it to fire or incinerate, 6.



To reduce the risk of personal injury or property damage from a short circuit, fire or explosion, keep the battery dry. Protect it from rain, water, liquids and damp conditions. Never immerse the battery in water or other liquids, 6.



To reduce the risk of personal injury or property damage from fire, use and store the battery only within an ambient temperature range of 14 °F to 122 °F (- 10 °C to 50 °C), 6.

5 IMPORTANT SAFETY INSTRUCTIONS

5.1 Introduction

When using an electric blower, basic precautions should always be followed, including the following:

READ ALL INSTRUCTIONS BEFORE USING THE BLOWER!

SAVE THESE INSTRUCTIONS

WARNING

- To reduce the risk of fire, explosion, electric shock or other personal injury, read and follow the important safety instructions in this chapter. Additional important warnings and instructions are provided in subsequent chapters of this manual.

5.2 Intended Use

WARNING

- This blower is designed for blowing leaves, grass, and similar lightweight material from yards, gardens, sidewalks, driveways, decks, patios and comparable surfaces in the manner and in the conditions described in this manual. Use of the blower for operations different than intended could result in serious injury or death.
 - Blow leaves, grass, and similar lightweight material only.
 - Do not use it for any other purposes. Misuse may result in personal injury or property damage, including damage to the blower.
- The STIHL AK series battery is designed for use only with compatible STIHL power tools.
- The STIHL AL series charger is designed for charging STIHL AK and AP series batteries only.
- Improper use could result in personal injury or property damage.
 - Use the blower, battery and charger only as described in this manual.

5.3 Operator

WARNING

- Working with the blower can be strenuous. The operator must be in good physical condition and mental health. To reduce the risk of personal injury from fatigue and loss of control:
 - Check with your doctor before using the blower if you have any health condition that may be aggravated by strenuous work.
 - Do not operate the blower while under the influence of any substance (drug, alcohol or medication, etc.) that might impair vision, balance, dexterity or judgment.
 - Be alert. Do not operate the blower when you are tired. Take a break if you become tired.

- Do not permit minors to use the blower.
- According to STIHL's current knowledge, the electric motor of this blower should not interfere with a pacemaker.
 - However, persons with a pacemaker should consult their physician and pacemaker manufacturer before operating this blower.

5.4 Personal Protective Equipment

⚠ WARNING

- To reduce the risk of personal injury:
 - Always wear proper clothing and protective apparel, including proper eye protection.
- Loss of control and severe injuries may result if hair, clothing or apparel are drawn into the air intake or otherwise become entangled in the components of the blower. To reduce the risk of severe personal injury:



- Wear sturdy and snug-fitting clothing that also allows complete freedom of movement.
- Wear overalls or long pants made of heavy material to help protect your legs. Do not wear shorts.



- Secure hair above shoulder level before starting work. Avoid scarves, jewelry and other apparel that could be drawn into the air intake.

- To reduce the risk of eye injury:



- Always wear goggles or close-fitting protective glasses with adequate side protection that are impact-rated and marked as complying with ANSI Z87 "+" (for Canada: CSA Z94).

- To help maintain a secure footing and reduce the risk of injury while working:



- Wear substantial footwear with non-slip soles. Do not wear sandals, flip-flops, open-toed or similar footwear.

- To help reduce the risk of personal injury caused by static discharge and/or loss of control during operation:



- STIHL recommends wearing heavy-duty work gloves made of leather or another wear-resistant material when handling the blower.

5.5 Blower


⚠ WARNING

- To reduce the risk of electric shock:



- Do not expose the blower to rain, water or excessive moisture.
- Store the blower indoors.


- This battery-powered blower is intended only for light-duty garden and landscape maintenance around the home. Use for other purposes may increase the risk of personal injury and property damage.

- Read and follow the operating instructions in this manual for approved applications,  17.

- To reduce the risk of personal injury to the operator and bystanders:




- Always release the trigger switch and remove the battery before assembling, transporting, adjusting, inspecting, cleaning, servicing, maintaining or storing the blower and any time it is not in use.

- Although certain unauthorized attachments may fit STIHL blowers, their use may be extremely dangerous. Only attachments supplied by STIHL or expressly approved by STIHL for use with this specific model are authorized.
 - Use only attachments supplied or expressly approved by STIHL.
 - Never modify this blower in any way.
 - Do not put any object into the openings of the blower.
 - Do not use the blower with any openings blocked.
 - Keep the blower free of dust, lint, hair and anything that might reduce air flow.
- If the blower is dropped or subjected to similar heavy impacts:
 - Check that it is undamaged, in good condition and functioning properly before continuing work.
 - Check that the controls and safety devices are working properly.
 - Check the LEDs for error messages,  12.1.2.
 - Check that the battery has not been damaged. Never use or charge a malfunctioning, damaged, cracked, leaking or deformed battery.
 - Never work with a damaged or malfunctioning blower or battery.
- If the blower is damaged, not working properly, has been left outdoors, exposed to rain or damp conditions or dropped into water or other liquid, its components may no longer function properly and safety devices may be inoperative. To reduce the risk of personal injury and property damage:
 - Take the blower to your authorized STIHL servicing dealer to be checked before further operation.
- Genuine STIHL replacement parts are specifically designed to match your blower model and meet safety and performance requirements.
 - STIHL recommends using genuine STIHL replacement parts.

5.6 Using the Blower

5.6.1 Before Operation

WARNING

- Misuse may result in personal injury and property damage.
 - Use the blower only as described in this instruction manual.
- Using a blower that is damaged, improperly adjusted or not completely and securely assembled can lead to a malfunction and increase the risk of serious personal injury.
 - Never operate a blower that is damaged, improperly maintained or not completely and securely assembled.
 - Always check your blower for proper condition and operation, particularly the retaining latch, trigger switch lockout and trigger switch.
 - Ensure that the retaining latch, trigger switch lockout and trigger switch move freely and always spring back to the stop position when released. The trigger switch must not engage until the retaining latch is unlocked and the trigger switch lockout is depressed.
 - Never attempt to modify or override the controls or safety devices.
 - If your blower or any part is damaged or does not function properly, take it to your authorized STIHL servicing dealer. Do not use the blower until the problem has been corrected.
- Before inserting the battery:
 - Check the electrical contacts in the battery compartment for corrosion or other foreign matter and keep clean.
 - Never insert or use a malfunctioning, damaged, cracked, leaking or deformed battery.
 - Read and follow the instructions on switching on the blower,  15.1.

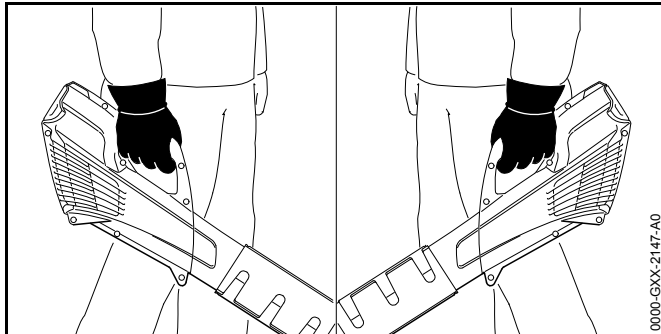
- To help reduce the risk of serious personal injury from unintentional starting:
 - Be sure the retaining latch is in the locked position before inserting the battery.
 - Never carry the blower with your finger on the trigger switch.
 - Release the trigger switch before removing the battery.



- Remove the battery before assembling, transporting, adjusting, inspecting, cleaning, servicing, maintaining or storing the blower and any other time it is not in use.

- Never leave the blower unattended when the battery is inserted.
- Never store the battery in the blower.

5.6.2 Holding and Controlling the Blower



0000-GXX-2147-A0

⚠ WARNING

- To maintain a firm grip and properly control your blower:
 - Keep the handle clean and dry at all times. Keep it free of moisture, pitch, oil, grease and resin.
- To reduce the risk of serious or fatal injuries to the operator or bystanders from loss of control:
 - Always hold the blower firmly with one hand when you are working.
 - Wrap your fingers tightly around the handle, keeping the handle cradled between your thumb and forefinger (see illustration).
- To reduce the risk of serious or fatal injuries to the operator or bystanders from loss of control, keep proper footing and balance at all times:
 - Do not work in wet grass or terrain.
 - Take special care in overgrown terrain and always watch for hidden obstacles such as tree stumps, roots, rocks, holes and ditches to avoid stumbling.
 - Be extremely cautious when working on slopes or uneven ground.
 - For better footing, always clear away fallen branches, scrub, cuttings and other material, objects or vegetation that can increase the danger of slipping, tripping or falling.
- To reduce the risk of injury from loss of control:
 - Never work on a ladder, on a roof, in a tree or while standing on any other insecure support.
 - Never operate the blower above shoulder height.
 - Do not overreach.

5.6.3 Working Conditions

▲ WARNING

- Operate your blower only under good visibility during favorable daylight conditions.
 - Postpone the work if the weather is windy, foggy, rainy or inclement.
- Your blower is a one-person machine.
 - Switch off the blower immediately if you are approached.
- To reduce the risk of injury to bystanders and unauthorized users:
 - Never leave the blower unattended when the battery is inserted.
 - Switch off the blower and remove the battery during work breaks and any other time the blower is not in use.
- Operating the blower in certain dry, dusty conditions may cause static electricity to build up in the blower tube, nozzle and housing. This static electricity may discharge suddenly with a spark. To reduce the risk of personal injury following static discharge:
 - Wear heavy-duty work gloves made of leather or another wear-resistant material.
 - Never operate the blower in a location where combustible gases, liquids, vapors, dusts or other combustible materials and substances are present.
- Sparks generated from operation of the blower may be capable of igniting combustible gases, liquids, vapors, dusts or other combustible materials and substances. To reduce the risk of fire and explosion:
 - Never operate the blower in a location where combustible gases, liquids, vapors, dusts or other combustible materials and substances are present.
 - Read and follow recommendations issued by government authorities (e.g., OSHA; for Canada: CCOHS) for identifying and avoiding the hazards of combustible gases, liquids, vapors, dusts or other combustible materials and substances.
- Use of this blower can generate dust and other substances containing chemicals known to cause respiratory problems, cancer, birth defects and other reproductive harm.
 - Consult governmental agencies such as EPA, OSHA, CARB and NIOSH (for Canada: ECCC, CCOHS and PHAC) and other authoritative sources on hazardous materials if you are unfamiliar with the risks associated with the particular substances with which you are working.
- Inhalation of certain dusts, especially organic dusts such as mold or pollen, can cause susceptible persons to have an allergic or asthmatic reaction. Substantial or repeated inhalation of dust or other airborne contaminants, especially those with a smaller particle size, may cause respiratory or other illnesses.
 - Control dust at the source where possible.
 - To the extent possible, operate the blower so that the wind or operating process directs any dust, mist or other particulate matter raised by the blower away from the operator.
 - When respirable dust or other particulate matter cannot be kept at or near background levels, always wear an approved and properly rated respirator and follow the recommendations of governmental authorities (e.g., OSHA/NIOSH/MSHA; for Canada: CCOHS/PHAC/MSHA) and occupational and trade associations.
- If the surrounding ground is coated with a chemical substance, such as pesticide or herbicide:
 - Read and follow the instructions and warnings that accompanied the substance coating the vegetation or surrounding ground.

5.6.4 Operating Instructions

⚠ WARNING

- In the event of an emergency:
 - Switch off the motor immediately and remove the battery.
- The blower fan between the air intake and output opening rotates whenever the motor is running. To reduce the risk of injury from contact with the blower fan:
 - Never operate the blower with a missing, cracked or worn intake screen or housing.
 - Never operate the blower without a properly mounted blower tube and nozzle.
 - Keep hair, loose clothing, fingers and all parts of the body away from openings and moving parts of the blower.
- The air flow from the blower can propel small objects at high speed. To reduce the risk of eye or other serious personal injuries to bystanders from blown objects:
 - Keep bystanders and pets at least 16 ft. (5 m) away when the blower is running.
 - Never direct the air flow toward bystanders or pets.
 - Do not allow the blower to be used as a toy.
 - Switch off the blower immediately if you are approached.
- A missing, cracked or worn intake screen or housing may result in an increased risk of injury from thrown objects.
 - Never operate a blower that has a missing, cracked or worn intake screen or housing.
- Inserting any foreign object into the air intake or nozzle may result in property damage, including damage to the blower itself, and serious injury to the operator or bystanders as a result of the object or broken parts being blown at high speed.
 - Never insert any objects into the nozzle or air intake of the blower.
 - Immediately switch off the blower if it starts to vibrate abnormally.

- Using the blower to spread herbicides, pesticides, fertilizers or other chemical substances can be dangerous and may cause serious or fatal injury to persons and damage to the environment.
 - Never use the blower to disperse or spread chemicals of any kind.



6 Battery Safety

6.1 Warnings and Instructions

⚠ WARNING

- Use of unauthorized batteries can damage the blower and result in fire, explosion and personal injury and property damage.
 - Use only genuine STIHL AK series batteries.
- Use of STIHL AK series batteries for any purpose other than powering STIHL power tools could be extremely dangerous.
 - Use STIHL AK series batteries only to power compatible STIHL power tools.
- Use of unauthorized chargers can damage the battery and result in fire, explosion and personal injury and property damage.
 - Use only genuine STIHL AL series chargers to charge STIHL AK series batteries.
- The battery contains safety features and devices which, if damaged, may allow the battery to generate heat, rupture, leak, ignite or explode.
 - Never heat the battery above 212 °F (100 °C).
 - Never incinerate or place the battery on or near fires, stoves or other high-temperature locations.
- Never use or charge a malfunctioning, damaged, cracked, leaking or deformed battery.
- Never open, disassemble, crush, drop, subject to heavy impact or otherwise damage the battery.



- Never expose the battery to microwaves or high pressures.
- Never insert objects into the battery's cooling slots.
- High temperatures may cause the battery to generate heat, rupture, leak, ignite or explode, resulting in severe or fatal personal injury and property damage. Exposure to temperatures outside the recommended temperature range may also reduce battery life and performance.
 -  – Use and store the battery only within an ambient temperature range of 14 °F to 122 °F (-10 °C to 50 °C).
 - Never store the battery in direct sunlight or inside a vehicle in hot weather.
- To reduce the risk of personal injury and property damage in the event the battery emits smoke, an unusual smell or feels unusually hot while using, charging or storing:
 - Immediately discontinue using or charging the battery. Prepare to contact the authorities in the event of fire or explosion.
- To reduce the risk of a short circuit, which could lead to electric shock, fire and explosion:
 -  – Keep the battery dry. Protect it from rain, water, liquids and damp conditions.
 - Never immerse the battery in water or other liquids.
 - Never bridge the battery terminals with wires or other metallic objects.
 - Keep a battery that is not in use away from metal objects (e.g., paper clips, nails, coins, keys).
 - Never transport or store the battery in a metal container.
 - Store the battery indoors in a dry room.
 - Never store the battery in damp or corrosive environments or in conditions that could lead to corrosion of its metal components.
 - Never store the battery in the blower or charger.
- Protect the battery from exposure to corrosive agents such as garden chemicals and de-icing salts.
- Do not attempt to repair, open or disassemble the battery. There are no user-serviceable parts inside.
- Leaking battery fluid can cause skin and eye irritation or chemical burns.
 - Avoid contact with skin and eyes.
 - Use an inert absorbent such as sand on spilled liquids.
 - In the event of accidental contact, immediately rinse the contact area thoroughly with mild soap and water.
 - If fluid gets into your eye(s): Do not rub. Rinse water over the open eye(s) for at least 15 minutes and seek medical attention.
- A battery fire can be dangerous. To reduce the risk of severe personal injury and property damage in the event of fire:
 - Evacuate the area. Fire can spread rapidly. Stay clear of any vapors generated and maintain a safe distance.
 - Contact the fire department.
 - Although water can be used to put out a battery fire, use of a multi-purpose dry chemical fire extinguisher is preferable.
 - Consult the fire department regarding proper disposal of the burned battery.
- Dropping the battery could result in personal injury or property damage. To prevent the battery from falling during removal:
 - Place the blower on a level surface.
 - Position your hand behind the battery while pressing the locking lever. Use care when ejecting the battery.

7 Charger Safety

7.1 Warnings and Instructions

⚠ WARNING

- To reduce the risk of fire, electric shock and other personal injury or property damage:
 - Read and follow all cautionary markings on the charger, battery and blower and all instructions in this manual before using the charger.
 - Charge only genuine STIHL AK or STIHL AP series batteries. Other batteries may burst, catch fire or explode, resulting in personal injury and property damage.



- For indoor use only.
- Keep the charger dry. Protect it from rain, water, liquids and damp conditions. Never insert a wet battery or use a wet charger.
- Do not handle the charger, including power supply cord and plug, with wet hands.
- Never use a damaged charger.
- Never charge malfunctioning, damaged, cracked, leaking or deformed batteries.
- Never store a battery in the charger.
- Operate the charger only indoors, in dry rooms and within an ambient temperature range of 41 °F to 104 °F (5 °C to 40 °C).
- Keep the charger out of the reach of children.
- Always plug the charger into a properly installed wall outlet matching the voltage and electrical frequency stated on the charger.
- Never use power strips to operate multiple chargers or other devices from the same outlet or on the same circuit.

- Do not operate a charger that has received a sharp or heavy blow, has been dropped or is otherwise damaged in any way.
- Do not attempt to repair, open or disassemble the charger. There are no user-serviceable parts inside.
- To reduce the risk of electric shock or fire from a short circuit:
 - Make sure the battery and charger are completely dry before starting the charging process.
 - Never bridge the contacts of the charger with wires or other metallic objects.
 - Do not insert any objects into the charger's cooling slots.
- The charger heats up during the charging process. To reduce the risk of fire:
 - Do not operate on a combustible surface (e.g., paper, cardboard, textiles) or in a combustible environment.
 - Allow the charger to cool down normally. Do not cover it.
- Chargers can produce sparks which may ignite combustible gases, liquids, vapors, dusts or other combustible materials. To reduce the risk of fire and explosion:
 - Do not operate in a location where combustible gases, liquids, vapors, dusts or other combustible materials are present.
- Using a damaged power supply cord or plug may result in fire, electric shock and other personal injury or property damage. To reduce these risks:



- Check the charger's power supply cord and plug regularly for damage. If damaged, immediately disconnect the plug from the wall outlet.
- Replace the charger if the power supply cord becomes damaged. The power supply cord cannot be repaired or replaced.

- Unplug the power supply cord from the outlet when the charger is not in use.
- Never jerk the power supply cord to disconnect it from the wall outlet. To unplug, grasp the plug, not the power supply cord.
- Do not use the power supply cord for any other purpose, e.g., for carrying or hanging up the charger.
- Make sure the power supply cord is located or marked so that it will not be stepped on, tripped over, come in contact with sharp objects or moving parts, or otherwise be subjected to damage or stress.
- An extension cord should not be used unless absolutely necessary. Overloading an extension cord can result in overheating and fire. If an extension cord must be used:
 - Use only a properly wired 16 gauge (AWG 16) or heavier gauge extension cord.
 - Never connect more than one charger or other device to an extension cord.
 - Never use an extension cord with a wattage rating lower than the wattage on your charger's rating plate.
 - Never use an extension cord if the blades on its plug are different from the blades on the charger plug in number, size or shape.
 - Do not link (chain) extension cords.
- In case of fire or if the charger or the battery it is charging emits smoke, an unusual smell, feels hot or appears abnormal in any other way:
 - Immediately disconnect the charger from the outlet and prepare to contact the authorities in the event of fire or explosion.


8 Maintenance, Repair and Storage

8.1 Warnings and Instructions

⚠ WARNING

- There are no user-authorized repairs for the battery, charger or blower. To reduce the risk of fire, electric shock or other personal injury and property damage:
 - Users may carry out only the cleaning and maintenance operations described in this manual. Users must not attempt any other cleaning, maintenance or repair.
 - Strictly follow the cleaning and maintenance instructions in the appropriate sections of this instruction manual. Please also refer to the maintenance chart in this manual.
 - STIHL recommends that all repair work be performed by authorized STIHL servicing dealers.
- Unintentional starting may result in personal injury or property damage.
 - Remove the battery before inspecting the blower or carrying out any cleaning, maintenance or repair work, before storing, and any other time the blower is not in use.
- Use of parts that are not authorized or approved by STIHL may cause serious or fatal injury or property damage.
 - STIHL recommends that only authorized STIHL replacement parts be used for repair or maintenance.
- To reduce the risk of electric shock:
 - Unplug the charger from the wall outlet before inspecting or cleaning the charger.
 - Regularly check the charger and ensure that the insulation of the power supply cord and plug are in good condition and show no signs of aging (brittleness), wear or damage.



- Replace the charger if the power supply cord becomes worn or damaged. The power supply cord cannot be repaired or replaced.
- To reduce the risk of short circuit and fire:
 - Keep the battery guides free of foreign matter. Clean as necessary,  21.
- Improper storage can result in unauthorized use, damage to the blower, battery and charger and an increased risk of fire, electric shock and other personal injury or property damage.
 - Remove the battery from the blower before storing.
 - Never store the blower and charger with the battery inserted.
 - Before storing, always unplug the charger from the wall outlet and remove the battery.
 - Store the blower, battery and charger indoors in a dry, secure place out of the reach of children and other unauthorized users.
 - Never store the battery in the blower, in the charger or in a metal container.

- Prevent unintentional starting. Ensure the trigger switch is in the off-position before inserting the battery, picking up or carrying the blower. Carrying the blower with your finger on the trigger switch or inserting the battery with the trigger switch engaged increases the likelihood of unintended starting and possible accidents.
- Remove the battery from the blower before making any adjustments, changing accessories, or storing. Such preventive safety measures reduce the risk of starting the blower accidentally.
- Recharge only with the charger specified by STIHL. A charger that is suitable for one type of battery may create a risk of fire when used with another battery.
- Use the blower only with the specifically designated batteries. Use of any other battery may create a risk of fire or explosion and personal injury or property damage.
- When the battery is not in use, keep it away from other metal objects, like paper clips, coins, keys, nails or other small metal objects that can make a connection from one terminal to another. Do not store it in a metal container. Shorting the battery terminals together may cause burns or a fire or explosion.
- Under abusive conditions, liquid may be ejected from the battery; avoid contact. If contact accidentally occurs, flush with water. If liquid contacts eyes, additionally seek medical help. Liquid ejected from the battery may cause irritation, chemical burns or respiratory illness from inhalation.
- Do not use a battery or blower that is damaged or modified. Damaged or modified batteries may exhibit unpredictable behavior resulting in fire, explosion and risk of injury or property damage.
- Do not expose a battery or the blower to fire or excessive temperature. Exposure to fire or temperature above 212 °F (100 °C) may cause fire and explosion.
- Follow all charging instructions and do not charge the battery outside of the ambient temperature range specified. Charging improperly or outside the specified range may damage the battery and increase the risk of fire.

9 General Warnings and Instructions

9.1 General Safety Warnings and Instructions for Battery-Powered Products

This section contains the general safety warnings and instructions for battery-powered products contained in UL 2595 / CSA C22.2 No. 0.23.

WARNING




- Read all safety warnings and instructions.
- Failure to follow the warnings and instructions may result in electric shock, fire, explosion and/or serious injury or property damage.

- Have servicing performed by a qualified repair person using only authorized replacement parts. This will help maintain the safety and performance of the product.
- Do not modify or attempt to repair the blower or the battery pack. Follow the instructions for use and care.

10 Before Starting Work

10.1 Preparing the Blower for Operation




Before starting work:

- ▶ Fully charge the battery,  11.
- ▶ Mount the nozzle,  13.1.
- ▶ Check the controls for proper function and condition,  16.


11 Charging the Battery

11.1 Setting up the Charger

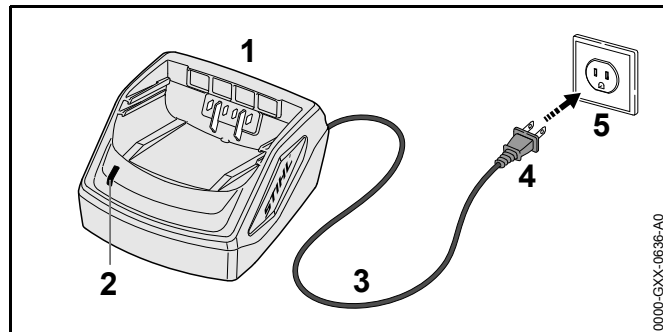
WARNING

Read and follow the battery and charger safety precautions and instructions in this manual,  6 and  7. Among other things: Make sure the charger and its components are dry and not damaged; operate the charger indoors at an appropriate ambient temperature,  7.

WARNING

Since the battery and charger heat up during the charging process, do not operate on a combustible surface or in a location where combustible gases, liquids, vapors, dusts or other materials and substances are present,  7.


To set up the charger:



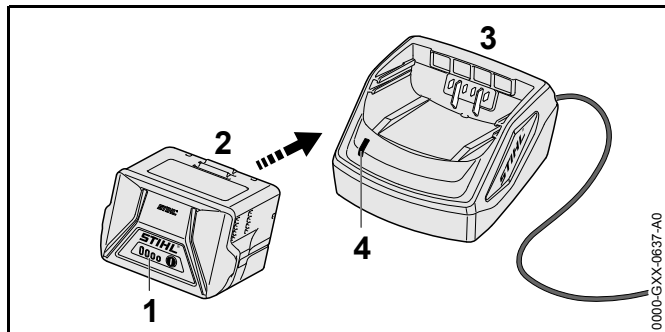
- ▶ Insert the plug (4) into a properly installed wall outlet (5) matching the voltage and electrical frequency stated on the charger's rating plate (1).
The charger runs a self-test immediately after it is plugged in. The charger LED (2) will glow green for about 1 second, then it will glow red briefly before going out. Once the self-test is complete, the charger is ready to charge the battery.
- ▶ Position the power supply cord (3) so that it will not be stepped on, tripped over, come in contact with sharp objects or moving parts or otherwise be subjected to damage or stress.

11.2 Charging

WARNING

Never charge a malfunctioning, damaged, cracked, leaking or deformed battery. For indoor use only. Keep the charger dry. Protect it from rain, water, liquids and damp conditions. Never insert a wet battery or use a wet charger,  11.2.

To charge the battery:



- ▶ Push the battery (2) into the charger (3) until it stops. The LED on the charger (4) glows green when the battery is being charged.

The LEDs (1) on the battery glow green and show the state of charge.

When the LEDs on the battery turn off, the charging process is complete and the charger will shut itself off.

- ▶ Remove the battery from the charger and disconnect the power supply cord from the wall outlet when charging is complete.

A factory-new battery is not fully charged. STIHL recommends that you fully charge the battery before using it for the first time.

Operate the charger only indoors, in dry rooms and within an ambient temperature range of 41 °F to 104 °F (5 °C to 40 °C).

The battery heats up during operation of the blower. If a hot battery is inserted into the charger, it may be necessary for it to cool down before charging. The charging process begins only after the battery has cooled down sufficiently.

Charging time depends on a number of factors, including battery condition and the ambient temperature. For a complete list of approximate charging times, see www.stihl.com/charging-times.

12 LED Diagnostics

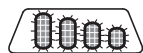
12.1 LEDs on the Battery

12.1.1 Battery Status

Four LEDs show the status of the battery. These LEDs can glow or flash green or red.



If one LED glows red continuously: the battery is either too hot or too cold. Allow the battery to warm up or cool down gradually at an ambient temperature of about 50 °F to 68 °F (10 °C to 20 °C).



If all 4 LEDs flash red: the battery has a malfunction and must be replaced. Do not attempt to charge or use the battery.



12.1.2 Blower Status

When the battery is inserted in the blower, the same LEDs on the battery will indicate the status of the blower.

If three LEDs glow red continuously: the blower motor is too hot. Allow the motor to cool down.

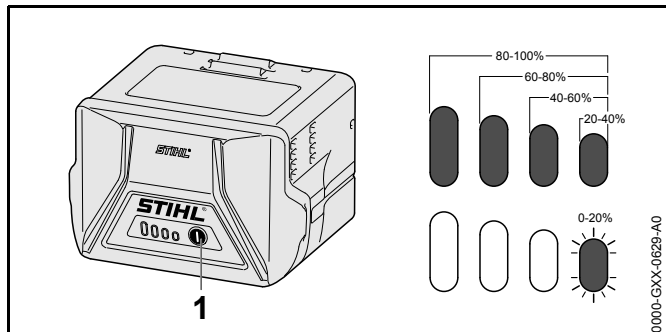
If three LEDs flash red when you activate the trigger switch: the blower has an electrical malfunction. Do not operate the blower. Have it checked by an authorized STIHL servicing dealer before use.

For more information, 23.

12.1.3 Charge Status

The LEDs on the battery also show the battery's state of charge.

To determine the battery's state of charge:



- ▶ Press the button (1) on the battery. The LEDs on the battery will glow or flash green for about 5 seconds and indicate the state of charge (see illustration).

For example:

If four green LEDs glow continuously: full charge.

If one green LED is flashing: less than 20 % charge.

12.2 LED on the Charger

One LED shows the status of the charger. The LED can glow green or flash red.



If the LED glows green continuously: the battery is being charged.

or

The battery is too hot or too cold for charging. To determine, check the LEDs on the battery. If there is one glowing red light, allow the battery to warm up or cool down gradually at an ambient temperature of about 50 °F to 68 °F (10 °C to 20 °C).



If the LED flashes red: there is no electric contact between the battery and the charger. Remove and reinsert the battery.

or

The battery has a malfunction and must be replaced. Check the LEDs on the battery for 4 flashing red lights. Do not attempt to use it.

or

The charger has a malfunction. Have it checked by an authorized STIHL servicing dealer before use.

For more information, 23.

13 Assembling the Blower

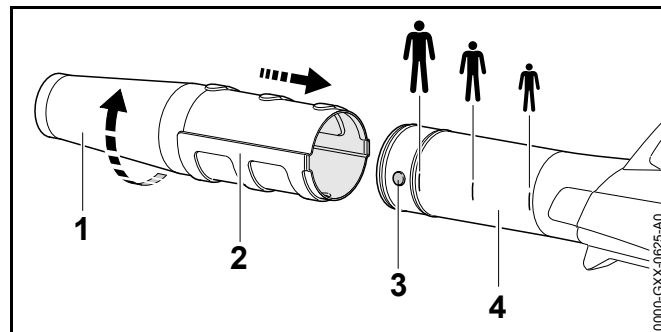
13.1 Mounting and Adjusting the Nozzle

WARNING

Make sure the battery is removed before starting assembly. Never operate your blower without a properly mounted blower tube and nozzle, 5.6.4. Use only attachments supplied or expressly approved by STIHL, 5.5.

The nozzle can be mounted to the blower tube in three positions to suit the height and reach of the user. The positions are marked on the blower tube.

To mount the nozzle:





- ▶ Align the nozzle mounting lugs (3) with the grooves on the nozzle (2) and push the nozzle (1) onto the blower tube (4).
- ▶ Rotate the nozzle (1) in the direction of the arrow until it stops.
The nozzle (1) should lock in position.
- ▶ To remove the nozzle (1), reverse the sequence of steps above.


14 Inserting and Removing the Battery

14.1 Inserting the Battery

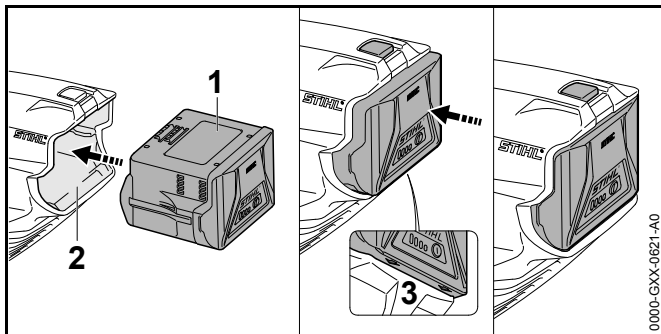
! WARNING

Never use a malfunctioning, damaged, cracked, leaking or deformed battery,  6.1. Use and store the battery only within an ambient temperature range of 14 °F to 122 °F (- 10 °C to 50 °C),  6.1.

! WARNING


To reduce the risk of unintended activation, never store the battery in the blower,  20.2.

To insert the battery:



- ▶ Place on a level surface.

- ▶ Insert the battery (1) into the battery compartment (2) until you hear an audible click.
In this position, the arrows (3) on the battery are still visible and the battery is locked in the battery compartment. There is no electrical contact between the battery and the blower, however.
- ▶ To supply power to the blower, push the battery into the battery compartment until it stops.
The battery is properly inserted when you hear a second audible click and the battery is flush with the top of the housing. In this position, there is electrical contact between the battery and the blower.

Since a new battery is not fully charged, STIHL recommends that you fully charge the battery before using it the first time,  11.

14.2 Removing the Battery

! WARNING

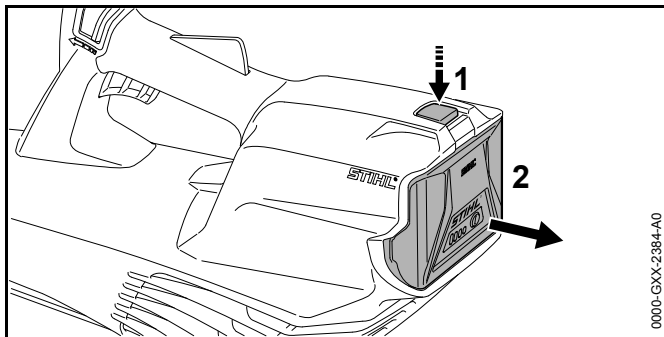
To reduce the risk of severe personal injury from unintended activation, always remove the battery before assembling, transporting, adjusting, cleaning, servicing, maintaining or storing the blower and any other time it is not in use.

! WARNING

Use care when ejecting the battery to prevent it from falling and causing personal injury or property damage.

To remove the battery:

- ▶ Release the trigger switch.
- ▶ Place the blower on a level surface.
- ▶ Position your hand behind the battery.



- ▶ Press down on the locking lever (1) to eject the battery (2) from the battery compartment.



NOTICE

Avoid exposing the battery to excessive heat or prolonged periods of direct sunlight. Use or storage outside the recommended ambient temperature range can reduce the performance and/or service life of the battery.

15 Switching the Blower On and Off

15.1 Switching On

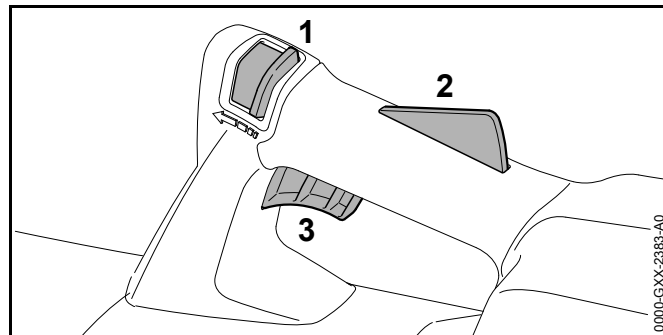
WARNING

Never operate your blower if it is damaged, improperly adjusted or maintained, not completely and securely assembled or not functioning properly,  15.1. To reduce the risk of personal injury, always wear proper clothing and protective apparel, including proper eye protection, when operating your blower,  5.4.

When switching the blower on:

- ▶ Make sure you have a secure and firm footing.
- ▶ Stand upright.
- ▶ Always hold and operate the blower with one hand firmly on the control handle.

To switch the blower on:



- ▶ Unlock the retaining latch (1) by pushing it forward with your thumb. Hold it in this unlocked position.
- ▶ Depress and hold the trigger switch lockout (2). The retaining latch can be released and will stay in the unlocked position.
- ▶ Squeeze the trigger switch (3) with your index finger. Air flow will start.

The motor will not switch on unless the retaining latch is unlocked and the trigger switch lockout and trigger switch are pressed at the same time.

15.2 Switching Off

WARNING

To reduce the risk of personal injury from unintended activation or unauthorized use, switch off the motor and remove the battery before transporting or putting the blower down.

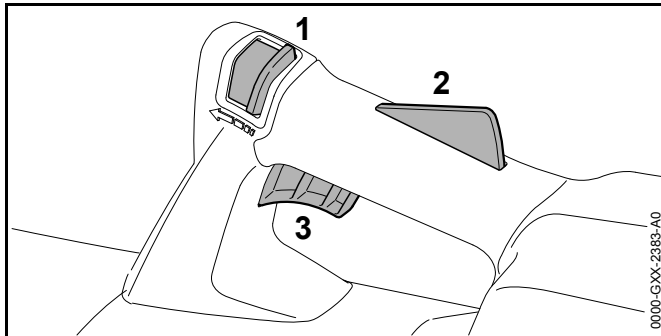
To switch the blower off:

- ▶ Release the trigger switch and trigger switch lockout. Once the trigger switch and trigger switch lockout have been released, the retaining latch will return to its locked position and activation of the trigger switch will be blocked.

16 Checking the Controls

16.1 Testing the Controls

Before starting work, confirm that the retaining latch (1), trigger switch lockout (2) and trigger switch (3) are undamaged and functioning properly.



Retaining Latch (1), Trigger Switch Lockout (2) and Trigger Switch (3)

⚠ WARNING

To help reduce the risk of injury from blown objects, always wear proper eye protection while testing the controls. Keep bystanders at least 16 ft. (5 m) away.

To test the controls:

- ▶ Remove the battery.
- ▶ Unlock the retaining latch by pushing it forward with your thumb.
- ▶ Hold the retaining latch in the unlocked position.
- ▶ Depress the trigger switch lockout and the trigger switch momentarily.

- ▶ Release the retaining latch, trigger switch lockout and trigger switch.
The retaining latch, trigger switch lockout and trigger switch should return to their respective locked positions. If they do not, take the blower to an authorized STIHL servicing dealer to be repaired before use.

If you are able to activate the trigger switch without first unlocking the retaining latch and depressing the trigger switch lockout, take the blower to an authorized STIHL servicing dealer to be repaired before use.

- ▶ Insert the battery.
- ▶ Hold the blower firmly and unlock the retaining latch. Depress the trigger switch lockout and trigger switch momentarily.
The blower should switch on. If it does not, take the blower to an authorized STIHL servicing dealer to be repaired before use.
- ▶ Release the trigger switch.
The blower should switch off.

If the blower does not switch off after you release the trigger switch, remove the battery and take the blower to an authorized STIHL servicing dealer to be repaired before use.

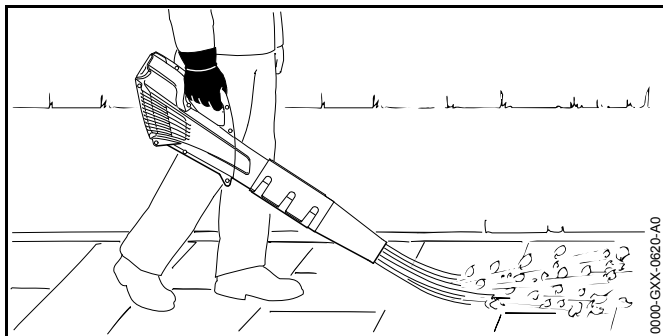
17 During Operation

17.1 Using the Blower

⚠ WARNING

To reduce the risk of personal injury, never work with the blower in the rain or in wet or damp conditions, 5.5. Always wear proper clothing and protective apparel, including proper eye protection, 5.4. Never direct the air flow toward bystanders. Keep bystanders at least 16 ft. (5 m) away from the work area, 5.6.4. Work carefully and maintain proper control of the blower.

The blower is designed for single-handed operation with either the right or left hand.



- ▶ Hold the unit firmly with your hand, keeping the handle cradled between your thumb and fingers.
- ▶ Direct the air flow at the edges of the pile of material to be blown.

NOTICE

Never direct the air flow toward objects such as vehicles or windows that are less than 16 ft. (5 m) away.

Observe all applicable laws, regulations, standards and ordinances.

18 After Finishing Work

18.1 Preparing for Transportation or Storage

! WARNING

To reduce the risk of personal injury from unintended activation or unauthorized use, switch off the motor and remove the battery before transporting the blower or putting it down.

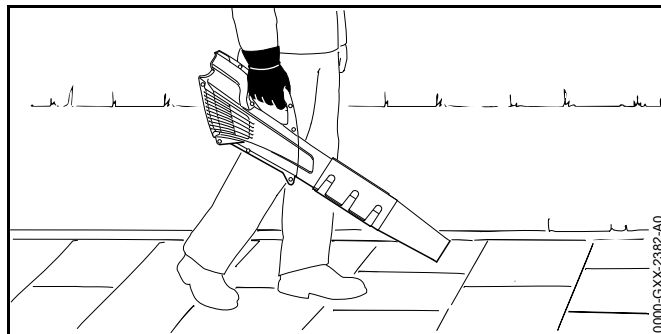
To prepare the blower for transportation or storage:

- ▶ Switch off the blower, 15.2.
- ▶ Remove the battery, 14.2.
- ▶ If the battery or blower became wet during operation, allow them to dry separately and completely before charging or storing.

19 Transporting the Blower and Battery

19.1 Blower

When transporting the blower:



- ▶ When transporting the blower by hand, carry it by the control handle.
- ▶ When transporting the blower in a vehicle, secure and position the blower to prevent turnover, impact and damage.

19.2 Battery

! WARNING

To reduce the risk of a short circuit, which could lead to electric shock, fire and explosion, never transport the battery in a metal container or near metal objects (e.g., paper clips, nails, coins, keys), 6.1.

When transporting the battery:

- ▶ Place the battery in a non-metal container or carton and secure it against impact or damage. Never transport the battery in a container that is capable of conducting electricity.
- ▶ If you are transporting the battery in a vehicle, secure it and its container to prevent turnover, impact and damage.

STIHL batteries comply with the requirements set forth in UN-Manual ST/SG/AC.10/11/Rev.5/Part III, Subsection 38.3.

Commercial air, vessel and ground transportation of lithium ion cells and batteries is regulated. The battery is classified as a UN 3480, Class 9, packaging group II product. Shipping it, either as a complete tool or the battery, requires compliance with all applicable shipping regulations. Check with the ground, vessel, air cargo or passenger airline to determine if transport is prohibited or subject to restrictions or exemptions prior to shipping or travel.

Normally, no further conditions have to be met by the user in order to transport STIHL batteries by road to the power tool's operating site. Check and comply with any special regulations that may apply to your situation.

For further information please go to www.stihlusa.com/battery-transportation-safety (for Canada: www.stihl.ca).


20 Storing the Blower, Battery and Charger

20.1 Blower

WARNING



Store the blower indoors in a dry, secure place that is inaccessible to children and other unauthorized users. Never store the battery in the blower or charger. Improper storage can result in unauthorized use and damage to the blower that can lead to fire and explosion, and otherwise increase the risk of severe personal injury and property damage.

When storing the blower:



- ▶ Clean the blower,  21.
- ▶ Store the blower indoors in a dry and secure location, out of the reach of children and other unauthorized persons.

20.2 Battery

WARNING

To reduce the risk of a short circuit, which could lead to electric shock, fire and explosion, never store the battery in a metal container or near metal objects,  8.1. If the battery is damp or wet, allow it to dry thoroughly before storing,  6.1.

WARNING



High temperatures can damage the battery and result in loss of performance and a shortened battery life. It may also cause the battery to generate heat, rupture, leak, ignite or explode, resulting in severe or fatal personal injury or property damage. Use and store the battery only within an ambient temperature range of 14 °F to 122 °F (- 10 °C to 50 °C),  6.1. Never store the battery in direct sunlight or inside a vehicle in hot weather,  6.1.

To properly store the battery:

- ▶ Take the battery out of the blower or the charger.
- ▶ Store the battery indoors in a dry and secure location.
- ▶ Keep it out of the reach of children and other unauthorized persons.
- ▶ Protect the battery against dampness and corrosive agents such as garden chemicals and de-icing salts.
- ▶ For maximum battery life, store the battery at an ambient temperature between 50 °F and 68 °F (10 °C and 20 °C) with a charge between 40 % (2 green LEDs) and 80 % (3 green LEDs).
- ▶ Do not leave spare batteries unused. Use them in rotation.

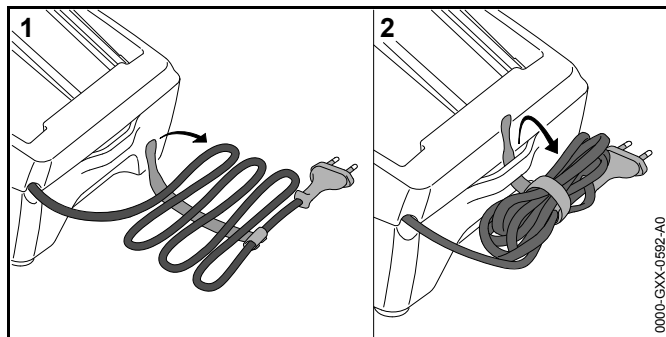
20.3 Charger

WARNING

Store the charger indoors, in a dry, secure place that is inaccessible to children and other unauthorized users,  7. Improper storage can result in unauthorized use, misuse or damage to the charger that can lead to fire and otherwise increase the risk of severe personal injury and property damage,  7.

To properly store the charger:

- ▶ Remove the battery from the charger.
- ▶ Disconnect the charger from the wall outlet.



- ▶ Wrap the power supply cord and attach it to the charger.
- ▶ Store the charger indoors in a dry and secure location.
- ▶ Keep it out of the reach of children and other unauthorized persons.

21 Cleaning

21.1 Cleaning the Blower, Battery and Charger

⚠ WARNING

To reduce the risk of personal injury from unintended activation, remove the battery before carrying out any cleaning work, 8.1. Users of this blower should carry out only the cleaning described in this manual.

- ▶ Clean a dirty intake screen carefully with a soft brush whenever required.
- ▶ Clean the blower's plastic components with a slightly dampened cloth. Do not use detergents or solvents. They may damage the polymer components.
- ▶ Do not use a pressure washer to clean the blower or otherwise spray it with water or other liquids.

- ▶ Keep the battery housing and guides free from foreign matter and clean as necessary with a soft brush or soft, dry cloth.
- ▶ Keep the charger housing and electrical contacts free from foreign matter. Clean as necessary with a soft brush or soft, dry cloth. Always unplug the charger before cleaning.

22 Inspection and Maintenance

22.1 Inspecting and Maintaining the Blower

⚠ WARNING

To reduce the risk of personal injury from unintended activation, remove the battery before inspecting the blower or carrying out any maintenance, 8.1. Carry out only the maintenance operations described in this manual. There are no user-authorized repairs. STIHL recommends that repair work be performed by authorized STIHL servicing dealers.

To properly maintain the blower:








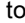
- ▶ Inspect the intake screen of the blower and replace if damaged.
- ▶ Have missing or damaged safety labels replaced by an authorized STIHL servicing dealer.

If you make a warranty claim for a component which has not been serviced or maintained properly, coverage may be denied.


23 Troubleshooting Guide

23.1 Blower and Battery

Always remove the battery before carrying out any inspection, maintenance or cleaning on the blower.

Condition	LEDs on Battery	Cause	Remedy
Blower does not start when switched on.		No electrical contact between blower and battery.	<ul style="list-style-type: none"> ▶ Remove the battery,  14.2. ▶ Visually check the electrical contacts in the battery compartment and on the battery. ▶ Reinsert the battery,  14.1.
	1 LED flashes green.	Battery has low charge.	▶ Charge the battery,  11.
	1 LED glows red.	Battery too hot / too cold.	▶ Allow the battery to warm up or cool down gradually at ambient temperatures of about 50 °F to 68 °F (10 °C to 20 °C).
	4 LEDs flash red.	Malfunction in battery.	<ul style="list-style-type: none"> ▶ Remove the batter and reinsert it,  14. ▶ Switch on the blower,  15.1. ▶ If the LEDs continue to flash, do not attempt to use. The battery has a malfunction and must be replaced.
	3 LEDs glow red.	Blower too hot.	▶ Allow the blower to cool down.
	3 LEDs flash red.	Malfunction in blower.	<ul style="list-style-type: none"> ▶ Remove the battery and reinsert it,  14 ▶ Switch on the blower,  15.1. ▶ If the LEDs still flash, do not attempt to use. The blower has a malfunction and must be checked by a servicing dealer.
Blower cuts out during operation.	1 LED glows red.	Battery too hot / too cold.	▶ Remove the battery,  14.2.
	3 LEDs glow red.	Blower too hot.	▶ Allow the blower and battery to cool down gradually at ambient temperatures of about 50 °F to 68 °F (10 °C to 20 °C).

Always remove the battery before carrying out any inspection, maintenance or cleaning on the blower.

Condition	LEDs on Battery	Cause	Remedy
Runtime is too short.		Battery not fully charged.	▶ Charge the battery,  11.
		Useful life of battery has been reached or exceeded.	▶ Have the battery checked by an authorized STIHL servicing dealer.
Battery is not being charged even though LED on charger glows green.	1 LED glows red.	Battery too hot / too cold.	<ul style="list-style-type: none"> ▶ Allow the battery to warm up or cool down gradually at ambient temperatures of about 50 °F to 68 °F (10 °C to 20 °C). ▶ Operate the charger only in enclosed, dry rooms at ambient temperatures of 41 °F to 104 °F (5 °C to 40 °C).

23.2 Charger

Condition	LEDs on Charger	Cause	Remedy
LED on charger flashes red.	LED flashes red.	No electrical contact between charger and battery.	▶ Remove the battery and reinsert it into the charger.
		Malfunction in battery.	<ul style="list-style-type: none"> ▶ Remove the battery and reinsert it into the charger. ▶ If the LED continues to flash, do not attempt to charge. If 4 LEDs on the battery are flashing, it has a malfunction and must be replaced. Otherwise, have the battery checked by an authorized STIHL servicing dealer.
		Malfunction in charger.	▶ Have the charger checked by an authorized STIHL servicing dealer.

24 Specifications

24.1 STIHL BGA 56

Intended for household use.

- Approved battery type: STIHL AK series
- Maximum air velocity: 101 mph (45 m/s)
- Weight without battery: 4.6 lbs. (2.1 kg)

24.2 STIHL AK Series Battery

Approved charger type: STIHL AL series.

- Battery technology: Lithium-Ion
- Voltage: 36 V
- Capacity in Ah: See rating plate
- Energy content in Wh: See rating plate
- Weight in kg: See rating plate
- Permissible ambient temperature range during use or storage: 14 °F to 122 °F (- 10 °C to 50 °C)


For a complete list of approximate charging times, see www.stihl.com/charging-times.

24.3 STIHL AL 101


- Mains voltage: 120 V
- Rated current: 1.3 A
- Frequency: 60 Hz
- Charging current: 1.5 A
- Rated power: 75 W
- Insulation: Class II (Double Insulation)
- Permissible ambient temperature range during charging: 41 °F to 104 °F (5 °C to 40 °C)


24.4 Symbols on the Blower, Battery and Charger



Symbol	Explanation
V	Volt
Hz	Hertz
A	Ampere
Ah	Ampere hour
W	Watt
Wh	Watt hour
AC	Alternating current
IP20	Degree of electrical protection


 Push and hold the retaining latch in this direction to unlock.


 Direct current


 Number of cells and energy content according to cell manufacturer's specification. The energy content available in specific applications is lower.


 Certification mark of the CSA-Group. Products bearing this mark have been certified based on national standards by the CSA third party Certification Body.

 STIHL products must not be disposed of in the household trash, but only in accordance with local, state and federal laws and regulations and as provided in this manual,  26.

 The RBRC seal indicates that STIHL has prepaid for battery recycling.

 Read the manual.

 Insulation: Class II (Double Insulation)

 Use and store charger only indoors in dry rooms.



California Energy Commission. This battery system complies with the California Energy Commission efficiency requirements.



Manufacturer Code

24.5 FCC 15 Compliance Statement for Power Tool and Charger

This device complies with part 15 of the FCC Rules.

Operation is subject to the following two conditions:

- this device may not cause harmful interference.
- this device must accept any interference received, including interference that may cause undesired operation.

Note: This equipment has been tested and found to comply with the limits for a Class B digital device, pursuant to part 15 of the FCC Rules. These limits are designed to provide reasonable protection against harmful interference in a residential installation. This equipment generates, uses and can radiate radio frequency energy and, if not installed and used in accordance with the instructions, may cause harmful interference to radio communications. However, there is no guarantee that interference will not occur in a particular installation.


If this equipment does cause harmful interference to radio or television reception, which can be determined by turning the equipment off and on, the user is encouraged to try to correct the interference by one or more of the following measures:

- reorient or relocate the receiving antenna,
- increase the separation between the equipment and receiver,
- connect the equipment into an outlet on a circuit different from that to which the receiver is connected,
- consult an authorized STIHL servicing dealer or an experienced radio/TV technician for help.

Do not change or modify this product in any way unless specifically allowed in this manual, since this could void your authority to operate it.

25 Replacement Parts and Equipment

25.1 Genuine STIHL Replacement Parts

STIHL recommends the use of genuine STIHL replacement parts. Genuine STIHL parts can be identified by the STIHL part number, the **STIHL** logo and, in some cases, by the STIHL parts symbol . The symbol may appear alone on small parts.

26 Disposal

26.1 Disposal of the Blower and Charger

STIHL products must not be thrown in household trash or disposed of except as provided in this manual.

- ▶ Take the blower, charger, accessories and packaging to an approved disposal site for environmentally friendly recycling.
- ▶ Contact your authorized STIHL servicing dealer for the latest information on disposal and recycling.

26.2 Battery Recycling

WARNING

Handle discharged/depleted batteries carefully. Even if believed to be discharged, lithium ion batteries may never totally discharge and still may deliver a dangerous short circuit current. If damaged or exposed to high temperatures, they may leak, generate heat, catch fire or explode.

- ▶ Observe all federal, state and local disposal rules and regulations.
- ▶ Contact your authorized STIHL servicing dealer for the latest information on waste disposal.
- ▶ Recycle depleted batteries promptly.

- ▶ Keep batteries away from children. Do not disassemble and do not dispose of in fire.



STIHL is committed to the development of products that are environmentally responsible. This commitment does not stop when the product leaves the authorized STIHL servicing dealer. STIHL has partnered with the RBRC (Rechargeable Battery Recycling Corporation) to promote the collection and recycling of spent STIHL lithium ion batteries in the United States and Canada.

The RBRC seal indicates that STIHL has prepaid for battery recycling. RBRC has a toll free phone number (1-800-822-8837) that connects you to information on battery recycling locations and information on battery disposal bans or restrictions in your area. You can also return your spent battery to any authorized STIHL servicing dealer for recycling free of charge.

27 Limited Warranty

27.1 STIHL Incorporated Limited Warranty Policy

This product is sold subject to the STIHL Incorporated Limited Warranty Policy, available at <http://www.stihlusa.com/warranty.html>. It can also be obtained from your authorized STIHL dealer or by calling 1-800-GO-STIHL (1-800-467-8445).

28 Trademarks

28.1 Registered Trademarks

STIHL®

STIHL®



FARM BOSS®

iCademy®

MAGNUM®

The color combination orange-grey (U.S. Registrations #2,821,860; #3,010,057, #3,010,058, #3,400,477; and #3,400,476)

AutoCut®

YARD BOSS®

STIHL ROLLOMATIC®

WOOD BOSS®



MasterWrench Service®

MotoMix®

OILOMATIC®

Rock Boss®

STIHL Cutquik®

STIHL DUROMATIC®

STIHL Quickstop®

STIHL WOOD BOSS®

TIMBERSPORTS®



28.2 Common Law Trademarks

4-MIX™

BioPlus™

Easy2Start™

EasySpool™

ElastoStart™

Ematic™

STIHL Precision Series™

FixCut™

Micro™

Pro Mark™

Quad Power™

Quiet Line™

STIHL Arctic™

STIHL Compact™

STIHL Interchangeable Attachment Series™

TapAction™



HT Plus™

STIHL PowerSweep™

STIHL Protec™

STIHL MiniBoss™

STIHL MotoPlus 4™

Master Control Lever™

STIHL OUTFITTERS™

STIHL PICCO™

TrimCut™

STIHL M-Tronic™

STIHL HomeScaper Series™

STIHL PolyCut™

STIHL RAPID™

STIHL SuperCut™

STIHL Multi-Cut HomeScaper Series™

STIHL Territory™



This listing of trademarks is subject to change.

Any unauthorized use of these trademarks without the express written consent of ANDREAS STIHL AG & Co. KG, Waiblingen is strictly prohibited.

29 Addresses

29.1 STIHL Incorporated

STIHL Incorporated

536 Viking Drive

P.O. Box 2015

Virginia Beach, VA

23452-2015

Contenido

1	Introducción	31	12.1	LED en la batería	47
2	Acerca de este manual de instrucciones	31	12.2	LED del cargador	47
2.1	Palabras identificadoras	31	13	Armado del soplador	48
2.2	Símbolos en el texto	32	13.1	Instalación y ajuste de la boquilla	48
3	Componentes importantes	32	14	Colocación y extracción de la batería	48
3.1	Soplador, batería y cargador	32	14.1	Colocación de la batería	48
4	Símbolos de seguridad en los productos	33	14.2	Extracción de la batería	49
4.1	Soplador, batería y cargador	33	15	Encendido y apagado del soplador	49
5	INSTRUCCIONES IMPORTANTES DE SEGURIDAD	34	15.1	Encendido	49
5.1	Introducción	34	15.2	Apagado	50
5.2	Uso previsto	34	16	Revisión de los controles	50
5.3	Operador	35	16.1	Prueba de los controles	50
5.4	Equipos de protección personal	35	17	Durante el funcionamiento	51
5.5	Soplador	36	17.1	Uso del soplador	51
5.6	Uso del soplador	37	18	Después de completar el trabajo	51
6	Seguridad de la batería	40	18.1	Preparación para el transporte o el almacenamiento	51
6.1	Advertencias e instrucciones	40	19	Transporte del soplador y de la batería	52
7	Seguridad del cargador	42	19.1	Soplador	52
7.1	Advertencias e instrucciones	42	19.2	Batería	52
8	Mantenimiento, reparación y almacenamiento	43	20	Almacenamiento del soplador, la batería y el cargador	52
8.1	Advertencias e instrucciones	43	20.1	Soplador	52
9	Advertencias e instrucciones generales	44	20.2	Batería	53
9.1	Advertencias de seguridad e instrucciones generales para productos alimentados por baterías	44	20.3	Cargador	53
10	Antes de empezar a trabajar	45	21	Limpieza	54
10.1	Preparación del soplador para el funcionamiento	45	21.1	Limpieza del soplador, la batería y el cargador	54
11	Carga de la batería	45	22	Inspección y mantenimiento	54
11.1	Preparación del cargador para el funcionamiento	45	22.1	Inspección y mantenimiento del soplador	54
11.2	Cargador	46	23	Guía de solución de problemas	55
12	Diagnóstico de LED	47	23.1	Soplador y batería	55
			23.2	Cargador	56

STIHL®

Este manual de instrucciones está protegido por derechos de propiedad intelectual. Todos los derechos reservados, especialmente los derechos de reproducción, traducción y procesamiento con sistemas electrónicos.

24 Especificaciones	57
24.1 STIHL BGA 56	57
24.2 Batería STIHL serie AK	57
24.3 STIHL AL 101	57
24.4 Símbolos en el soplador, la batería y el cargador	57
24.5 Declaración de cumplimiento con norma FCC 15 para la herramienta motorizada y el cargador	58
25 Piezas y equipos de repuesto	58
25.1 Piezas de repuesto originales de STIHL	58
26 Eliminación	58
26.1 Eliminación del soplador y el cargador	58
26.2 Reciclado de las baterías	58
27 Garantía limitada	59
27.1 Política de garantía limitada de STIHL Incorporated	59
28 Marcas comerciales	59
28.1 Marcas comerciales registradas	59
28.2 Marcas comerciales por ley común	59
29 Direcciones	60
29.1 STIHL Incorporated	60

1 Introducción

Gracias por su compra. La información que contiene este manual lo ayudará a obtener el máximo rendimiento y satisfacción del soplador, y a reducir el riesgo de lesiones que supone su uso, si dicha información se respeta.

¡CONSERVE ESTE MANUAL!



Dado que el soplador es una herramienta motorizada accionada a batería y de gran velocidad, es necesario tomar medidas especiales de seguridad para reducir el riesgo de lesiones.



Lea este manual de instrucciones detenidamente antes del uso y periódicamente de allí en adelante. Aténgase a todas las instrucciones de seguridad. El uso descuidado o inadecuado del soplador puede causar lesiones graves o mortales.

No preste ni alquile nunca su soplador sin el manual de instrucciones. Solamente las personas que comprenden la información de este manual por completo deberán manejar el soplador.

Para obtener más información, o si no comprende alguna de las instrucciones incluidas en este manual, visite www.stihlusa.com (para Canadá: www.stihl.ca) o comuníquese con un concesionario de servicio STIHL autorizado.

2 Acerca de este manual de instrucciones

2.1 Palabras identificadoras

Este manual contiene información sobre seguridad a la que usted debe prestar atención especial. Dicha información se indica con los siguientes símbolos y palabras identificadoras:

⚠ PELIGRO

Identifica una situación de peligro que, de no evitarse, causará lesiones graves o mortales.

⚠ ADVERTENCIA


Identifica una situación de peligro que, de no evitarse, podría causar lesiones graves o mortales.

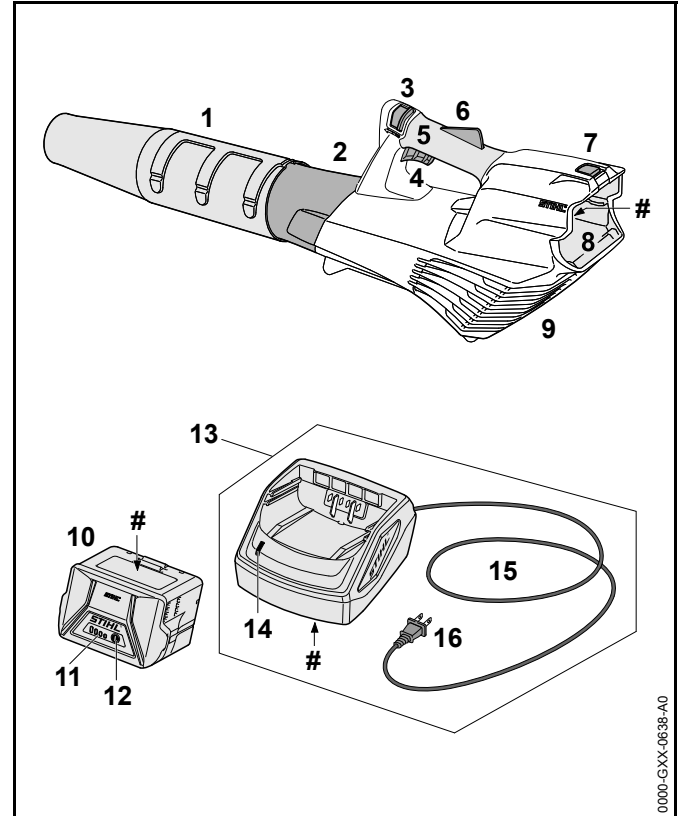
INDICACIÓN

Indica el riesgo de daños a la propiedad, incluidos la máquina o sus componentes.

2.2 Símbolos en el texto

El siguiente símbolo tiene como finalidad ayudarlo a utilizar este manual.

 Hace referencia a un capítulo o subcapítulo designado en este manual de instrucciones.

3 Componentes importantes**3.1 Soplador, batería y cargador****1 Boquilla**

Dirige y concentra el chorro de aire.

2 Tubo del soplador

Dirige el chorro de aire.

3 Pestillo de retención

Bloquea el gatillo.

4 Gatillo

Enciende y apaga el motor.

5 Mango de control

Mango del soplador.

6 Bloqueo del gatillo

Se debe presionar mientras el pestillo de retención está desbloqueado para permitir la activación del gatillo.

7 Palanca de bloqueo

Fija la batería en el compartimiento para la batería.

8 Compartimiento para la batería

Sostiene la batería.

9 Rejilla de admisión

Se coloca sobre la abertura de admisión de aire y sirve para reducir el riesgo de contacto directo con el ventilador soplador.

10 Batería

Suministra energía eléctrica al motor.

11 LED de la batería

Indican el estado de carga de la batería y los mensajes de error de la pantalla acerca de los posibles defectos de la batería o de la herramienta eléctrica.

12 Pulsador

Activa los LED de la batería.

13 Cargador

Carga la batería.

14 LED del cargador

Indica el estado de funcionamiento del cargador.

15 Cordón eléctrico

Suministra electricidad al cargador cuando está enchufado a un tomacorriente de pared.

16 Enchufe

Conecta el cordón eléctrico al tomacorriente de pared.

Placa de capacidad nominal

Contiene información eléctrica y el número de serie del producto.

4 Símbolos de seguridad en los productos

4.1 Soplador, batería y cargador

Los siguientes símbolos de seguridad están presentes en el soplador, la batería o el cargador:



Para reducir el riesgo de lesiones, respete las medidas de seguridad especificadas.



Lea y respete todas las medidas de seguridad dadas en el manual de instrucciones. El uso inadecuado puede provocar lesiones personales graves o mortales o daños a la propiedad.



Para reducir el riesgo de lesionarse los ojos y la cabeza, siempre use gafas protectoras. 5.4.



Para reducir el riesgo de lesiones personales, mantenga el cabello y la ropa suelta alejados del conducto de admisión de aire. 5.4.



Para reducir el riesgo de lesiones o daños a la propiedad causados por la activación inesperada, quite la batería cuando el soplador no esté en uso. 5.6.1.



Para reducir el riesgo de descarga eléctrica, no exponga el soplador a la lluvia, al agua o a la humedad excesiva. Guárdelo bajo techo. Si se expone a la lluvia o a condiciones muy húmedas, llévalo a su concesionario de servicio STIHL autorizado antes de continuar utilizándolo. 5.5.

Para reducir el riesgo de lesiones personales o daños a la propiedad causados por incendios o descargas eléctricas, no moje el cargador. Protéjalo de la lluvia, el agua, los líquidos y las condiciones de humedad. Para uso en interior únicamente. 7.1.



Para reducir el riesgo de lesiones personales causadas por el chorro de aire a gran velocidad o por objetos lanzados, no permita que nadie se acerque a menos de 5 m (16 pies) de distancia. 5.6.4.



Para reducir el riesgo de lesiones personales o daños a la propiedad debido a incendios, explosiones o quemaduras, incluidas las quemaduras químicas, no desarme, aplaste, deje caer, dañe o caliente la batería a más de 212 °F (100 °C). Nunca la exponga al fuego ni la incinere. 6.



Para reducir el riesgo de lesiones personales o daños a la propiedad causados por un cortocircuito, un incendio o una explosión, mantenga la batería seca. Protéjalo de la lluvia, el agua, los líquidos y las condiciones de humedad. Nunca sumerja la batería en agua u otros líquidos. 6.



Para reducir el riesgo de lesiones personales o daños a la propiedad debido a un incendio, use y almacene la batería solo dentro de un rango de temperatura ambiente de 14 °F a 122 °F (-10 °C a 50 °C). 6.

5 INSTRUCCIONES IMPORTANTES DE SEGURIDAD

5.1 Introducción

Cuando usa un soplador eléctrico, debe tomar ciertas precauciones básicas, tal como las siguientes:

¡LEA TODAS LAS INSTRUCCIONES ANTES DE USAR EL SOPLADOR!

GUARDE ESTAS INSTRUCCIONES.

▲ ADVERTENCIA

- Para reducir el riesgo de incendio, explosión, descarga eléctrica y otras lesiones, lea y siga las instrucciones de seguridad importantes dadas en este capítulo. En los siguientes capítulos de este manual, se proporcionan otras advertencias e instrucciones importantes.

5.2 Uso previsto

▲ ADVERTENCIA

- Este soplador está diseñado para soplar hojas, pasto y materiales livianos similares de terrenos, jardines, aceras, entradas de vehículos, porches, patios y superficies semejantes si se utiliza de la forma y en las condiciones descritas en este manual. Si se usa el soplador para trabajos para los cuales no ha sido diseñado, se podrían causar lesiones graves o mortales.
 - Sople hojas, pasto y materiales livianos similares únicamente.
 - No lo utilice para ningún otro fin. El uso indebido puede causar lesiones personales o daños a la propiedad, incluso daños al soplador.
- La batería de la serie STIHL AK está diseñada solo para el uso con herramientas eléctricas STIHL compatibles.
- El cargador de la serie STIHL AL está diseñado solo para las baterías de las series STIHL AK y AP.

- El uso inadecuado puede causar lesiones personales o daños a la propiedad.
 - Use el soplador, la batería y el cargador solo según se describe en este manual.

5.3 Operador

⚠ ADVERTENCIA

- El uso del soplador puede ser extenuante. El operador debe hallarse en buenas condiciones tanto físicas como mentales. Para reducir el riesgo de lesiones personales causadas por fatiga o pérdida del control:
 - Consulte a su médico antes de usar el soplador si tiene una afección de salud que pueda agravarse por el trabajo extenuante.
 - No haga funcionar el soplador si se encuentra bajo la influencia de cualquier sustancia (drogas, alcohol, medicamentos, etc.) que puedan afectar la visión, el equilibrio, la destreza o el juicio.
 - Esté alerta. No maneje el soplador cuando está cansado. Tómese un descanso si se siente cansado.
 - No permita que los niños usen el soplador.
- De acuerdo con los conocimientos actuales de STIHL, el motor eléctrico del soplador no debe interferir con marcapasos.
 - Sin embargo, las personas con marcapasos deben consultar a su médico y al fabricante del dispositivo antes de utilizar el soplador.

5.4 Equipos de protección personal

⚠ ADVERTENCIA

- Para reducir el riesgo de lesiones personales:
 - Siempre use ropa adecuada y trajes protectores, incluidas gafas protectoras adecuadas.
- Si el cabello, la ropa o los trajes son aspirados por el conducto de admisión de aire o se enredan en los componentes del soplador, podrían perderse el control y producirse lesiones cortantes graves. Para reducir el riesgo de lesiones personales graves:



- Use ropa resistente y ajustada que permita una completa libertad de movimiento.
- Use monos o pantalones largos hechos de un material grueso para protegerse las piernas. No use pantalones cortos.



- Ate el cabello por encima del nivel de los hombros antes de comenzar a trabajar. Evite usar bufandas, joyas y vestimenta que pueda ser aspirada por el conducto de admisión de aire.

- Para reducir el riesgo de lesiones oculares:



- Siempre utilice gafas o anteojos protectores bien ajustados con protección lateral resistentes a impactos y que porten designaciones que indiquen que cumplen con la norma ANSI Z87 «+» (para Canadá: CSA Z94).

- Para ayudar a mantener un punto de apoyo seguro y reducir el riesgo de lesiones mientras trabaja:



- Póngase un calzado sólido con suela antideslizante. Nunca use sandalias, ojotas, zapatos que dejen los dedos descubiertos ni calzado de ese tipo.

- Para reducir el riesgo de lesiones personales causadas por descarga de electricidad estática o pérdida de control durante el uso:



- STIHL recomienda usar guantes gruesos de cuero o de otro material resistente al desgaste para manipular el soplador.

5.5 Soplador

⚠ ADVERTENCIA

- Para reducir el riesgo de descarga eléctrica:



- No exponga el soplador a la lluvia, al agua o a la humedad excesiva.
- Guarde el soplador bajo techo.

- Este soplador accionado por batería está diseñado solo para tareas livianas de mantenimiento en el jardín y el paisaje en el hogar. El uso para otros fines puede aumentar el riesgo de lesiones personales y daños a la propiedad.

- Lea y siga las instrucciones de operación en este manual para conocer las aplicaciones aprobadas.

📖 17.

- Para reducir el riesgo de lesiones personales al operador y a los espectadores:



- Siempre suelte el gatillo y quite la batería antes de armar, transportar, ajustar, inspeccionar, limpiar, reparar o guardar el soplador y cuando no esté en uso.

- Si bien es posible conectar ciertos accesorios no autorizados al soplador STIHL, su uso puede ser extremadamente peligroso. Utilice únicamente los accesorios suministrados por STIHL o expresamente autorizados por STIHL para usarse con el modelo específico.

- Use solo los accesorios suministrados o expresamente aprobados por STIHL.
- Nunca modifique, de ninguna manera, este soplador.

5 INSTRUCCIONES IMPORTANTES DE SEGURIDAD

- No coloque ningún objeto en las aberturas del soplador.
- No utilice el soplador con alguna abertura obstruida.
- Mantenga el soplador libre de polvo, pelusa, pelo y otros materiales que puedan reducir el chorro de aire.
- Si el soplador se cae o se expone a fuertes impactos similares a los de una caída:
 - Asegúrese de que no se haya dañado, de que esté en buenas condiciones y de que funcione correctamente antes de seguir con el trabajo.
 - Compruebe que los controles y dispositivos de seguridad funcionen correctamente.
 - Revise los LED por mensajes de error. 📖 12.1.2.
 - Compruebe que la batería no se haya dañado. Nunca utilice ni cargue una batería defectuosa, dañada, agrietada, deformada o que pierda líquido.
 - Nunca trabaje con un soplador o una batería dañada o defectuosa.
- Si el soplador se daña, no funciona correctamente, se ha dejado al aire libre, se ha expuesto a lluvia o condiciones húmedas o se ha caído en agua u otro líquido, es posible que sus componentes y los dispositivos de seguridad ya no funcionen. Para reducir el riesgo de lesiones personales y daños a la propiedad:
 - Lleve el soplador a un concesionario de servicio STIHL autorizado para un control antes de continuar utilizándolo.
- Las piezas de repuesto auténticas STIHL están diseñadas específicamente para su modelo de soplador y satisfacen las necesidades de rendimiento y seguridad.
 - STIHL recomienda el uso de piezas de repuesto originales de STIHL.

5.6 Uso del soplador

5.6.1 Antes de usar

⚠ ADVERTENCIA

- El uso inadecuado puede causar lesiones personales o daños a la propiedad.
 - Use el soplador solo como se describe en este manual de instrucciones.
- Usar un soplador que está dañado, que se ajustó incorrectamente o que no se armó por completo y de forma segura puede generar un defecto y aumentar el riesgo de lesiones personales graves.
 - No maneje nunca un soplador que esté dañado, mal ajustado o que no fue armado completa y debidamente.
 - Siempre revise que el soplador esté en buenas condiciones y funcione correctamente, en especial el pestillo de retención, el bloqueo del gatillo y el gatillo.
 - Asegúrese de que el pestillo de retención, el bloqueo del gatillo y el gatillo se muevan libremente y siempre regresen a la posición de parada. El gatillo no debe oprimirse hasta que se desbloquee el pestillo de retención y se pulse el bloqueo del gatillo.
 - Nunca intente modificar ni anular los controles o los dispositivos de seguridad.
 - Si el soplador o cualquier pieza está dañada o no funciona correctamente, llévelas a un concesionario de servicio STIHL autorizado. No use el soplador hasta que el problema se haya corregido.
- Antes de colocar la batería:
 - Revise si hay corrosión o materias extrañas en los contactos eléctricos del compartimiento de la batería y manténgalos limpios.
 - Nunca inserte o use una batería defectuosa, dañada, agrietada, deformada o que pierda líquido.
 - Lea y siga las instrucciones acerca de cómo encender el soplador. 📖 15.1.

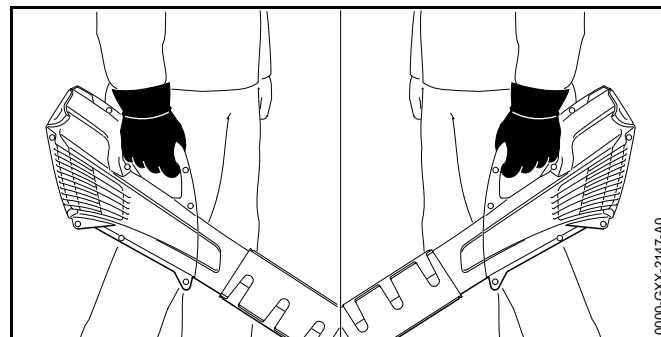
- Para reducir el riesgo de lesiones personales graves a causa de arranques accidentales:

- Asegúrese de que el pestillo de retención esté en la posición de bloqueo antes de colocar la batería.
- Nunca sostenga el soplador con el dedo en el gatillo.
- Suelte el gatillo antes de quitar la batería.



- Quite la batería antes de armar, transportar, ajustar, inspeccionar, limpiar, reparar o guardar el soplador y cuando no esté en uso.
- No deje el soplador desatendido si tiene la batería colocada.
- Nunca guarde la batería en el soplador.

5.6.2 Sujeción y control del soplador



▲ ADVERTENCIA

- Para sujetar con firmeza y controlar correctamente el soplador:
 - Mantenga el mango limpio y seco en todo momento. Protéjalo de la humedad, el alquitrán, el aceite, la grasa y la resina.
- Para reducir el riesgo de lesiones graves o mortales para el operador o los espectadores debido a la pérdida de control:
 - Siempre sujete el soplador firmemente con una mano mientras trabaje.
 - Envuelva los dedos firmemente en el mango, manteniéndolo sujeto entre los dedos índice y pulgar (vea la ilustración).
- Para reducir el riesgo de que el operador o los espectadores sufran lesiones graves o mortales casadas por la pérdida de control, mantenga siempre un punto de apoyo seguro y el equilibrio:
 - No trabaje sobre pasto o terreno mojado.
 - Tenga sumo cuidado cuando trabaje en terreno con mucha vegetación, y para evitar tropezarse, siempre esté atento a los obstáculos ocultos, tales como tocones, raíces, piedras, hoyos y zanjas.
 - Sea sumamente precavido cuando trabaje en declives o terreno irregular.
 - Para obtener un punto de apoyo seguro, quite siempre las ramas caídas, los matorrales, el material cortado y cualquier otro objeto o vegetación que pueda aumentar el peligro de resbalarse, tropezarse o caerse.
- Para reducir el riesgo de lesionarse por la pérdida del control:
 - No trabaje sobre una escalera, sobre un techo, en un árbol o cualquier otro punto de apoyo que no sea seguro.
 - Nunca ponga el soplador en funcionamiento a una altura más arriba de los hombros.
 - No trate de llegar más lejos de lo debido.

5.6.3 Condiciones de trabajo

▲ ADVERTENCIA

- Ponga el soplador en funcionamiento solamente en condiciones de buena visibilidad y a la luz del día.
 - Postergue el trabajo si hay mal tiempo, neblina, está ventoso o lluvioso.
- El soplador es una máquina que debe ser manejada por una sola persona.
 - Apague el soplador inmediatamente si se le aproxima alguna persona.
- Para reducir el riesgo de lesiones a los espectadores y usuarios no autorizados:
 - No deje el soplador desatendido si tiene la batería colocada.
 - Apague el soplador y quite la batería durante los descansos y en cualquier momento en que el soplador no se utilice.
- Hacer funcionar el soplador en entornos secos y polvorientos puede causar la acumulación de electricidad estática en el tubo, la boquilla y la carcasa del soplador. Esta electricidad estática podría descargarse súbitamente con una chispa. Para reducir el riesgo de lesiones personales después de una descarga de electricidad estática:
 - Use guantes gruesos de cuero o de otro material resistente al desgaste.
 - No ponga en funcionamiento el soplador en un lugar donde haya gases, líquidos, vapores, polvos u otros materiales y sustancias combustibles.

- Las chispas que se generan del funcionamiento del soplador pueden encender gases, líquidos, vapores, polvos u otros materiales y sustancias combustibles. Para reducir el riesgo de incendio y explosión:
 - No ponga en funcionamiento el soplador en un lugar donde haya gases, líquidos, vapores, polvos u otros materiales y sustancias combustibles.
 - Lea y siga las recomendaciones emitidas por las autoridades del gobierno (por ejemplo, OSHA; para Canadá: CCOHS) para identificar y evitar los peligros de los gases, líquidos, vapores, polvos u otros materiales y sustancias combustibles.
- El uso de este soplador puede generar polvo y otras sustancias que contienen productos químicos considerados como causantes de enfermedades respiratorias, cáncer, defectos de nacimiento u otra toxicidad reproductora.
 - Consulte a los organismos gubernamentales como EPA, OSHA, CARB y NIOSH (para Canadá: ECCO, CCOHS y PHAC) y otras fuentes autorizadas acerca de los materiales peligrosos si no está familiarizado con los riesgos asociados a las sustancias particulares con las que trabaja.
- La inhalación de ciertos polvos, especialmente los polvos orgánicos, tales como el moho o polen, puede provocar reacciones alérgicas o asmáticas en las personas sensibles. La inhalación repetida o de grandes cantidades de polvo u otros contaminantes del aire, especialmente los de partículas pequeñas, puede causar enfermedades respiratorias o de otro tipo.
 - Controle el polvo en su fuente, siempre que sea posible.
 - En la medida de lo posible, ponga el soplador en funcionamiento de modo que el viento o el proceso de operación dirijan cualquier polvo, vapor u otras partículas generados por el soplador en dirección contraria al operador.
 - Cuando el polvo inhalable u otras partículas no se pueden mantener a nivel del suelo o cerca de este, use siempre un respirador aprobado y clasificado adecuadamente, y siga las recomendaciones de las

autoridades gubernamentales (por ejemplo, OSHA/NIOSH/MSHA; para Canadá: CCOHS/PHAC/MSHA) y las asociaciones ocupacionales y comerciales.

- Si el terreno está cubierto por una sustancia química, como pesticida o herbicida:
 - Lea y siga las instrucciones y advertencias que acompañan a la sustancia que cubre la vegetación o el terreno.

5.6.4 Instrucciones de manejo

ADVERTENCIA

- En caso de una emergencia:
 - Apague el motor de inmediato y quite la batería.
- El ventilador soplador ubicado entre el conducto de admisión de aire y la abertura de salida gira siempre que el motor esté en marcha. Para reducir el riesgo de lesiones por el contacto con el ventilador soplador:
 - Nunca opere el soplador si la rejilla de admisión o la carcasa está agrietada, gastada o falta.
 - Nunca opere el soplador si el tubo y la boquilla están mal instalados.
 - Mantenga el pelo, la ropa suelta, los dedos y las demás partes del cuerpo lejos de las aberturas y las piezas en movimiento del soplador.
- El chorro de aire del soplador puede impulsar pequeños objetos a alta velocidad. Para reducir el riesgo de lesiones en los ojos y de herir a otras personas con objetos lanzados:
 - Mantenga a las demás personas y a las mascotas a no menos de 5 m (16 pies) de distancia de la zona de funcionamiento del soplador.
 - Nunca dirija el chorro de aire hacia otras personas o hacia las mascotas.
 - No permita el uso del soplador como juguete.
 - Apague el soplador inmediatamente si se le aproxima alguna persona.

- Una rejilla o una carcasa agrietada, gastada o faltante puede aumentar el riesgo de lesiones por objetos lanzados.
 - Nunca opere el soplador si la rejilla de admisión o la carcasa está agrietada, gastada o falta.
- Insertar un objeto extraño en el conducto de admisión o en la boquilla puede ocasionar daños a la propiedad, incluso daños al soplador, y lesiones graves al operador u otras personas debido a que el objeto o alguna pieza rota podría salir expulsada del soplador a alta velocidad.
 - Nunca inserte objetos en la boquilla o en el conducto de admisión del soplador.
 - Apague el soplador inmediatamente si comienza a vibrar de un modo anormal.
- Usar el soplador para esparcir herbicidas, pesticidas, fertilizantes u otros productos químicos puede ser peligroso y podría causar lesiones graves o mortales a las personas y dañar el medio ambiente.
 - Nunca use el soplador para dispersar o esparcir ningún tipo de producto químico.

6 Seguridad de la batería

6.1 Advertencias e instrucciones

ADVERTENCIA

- El uso de baterías no autorizadas puede dañar el soplador y causar incendios, explosiones, lesiones personales y daños a la propiedad.
 - Use solo baterías de la serie STIHL AK genuinas.
- El uso de baterías de la serie STIHL AK para cualquier fin que no sea alimentar las herramientas eléctricas STIHL podría ser extremadamente peligroso.
 - Use las baterías de la serie STIHL AK solo con herramientas eléctricas STIHL compatibles.
- El uso de cargadores no autorizados puede dañar la batería y causar incendios, explosiones, lesiones personales y daños a la propiedad.
 - Use solo cargadores de la serie STIHL AL auténticos para cargar las baterías de la serie STIHL AK.
- La batería posee características y dispositivos de seguridad que, de dañarse, pueden provocar que esta genere calor, se rompa, pierda líquido, se incendie o explote.
 - Nunca caliente la batería por encima de los 212 °F (100 °C).
 - Nunca la incinere ni la coloque sobre el fuego o cerca de este, de estufas o de otros sitios con altas temperaturas.
 - Nunca utilice ni cargue una batería defectuosa, dañada, agrietada, deformada o que pierda líquido.
 - Nunca abra, desarme, aplaste, deje caer o dañe la batería ni la exponga a impactos.
 - Nunca la exponga a microondas o altas presiones.
 - Nunca coloque objetos en las ranuras de refrigeración de la batería.



- Las altas temperaturas pueden hacer que la batería genere calor, se rompa, pierda líquido, se incendie o explote, lo que podría causar lesiones personales graves o fatales y daños a la propiedad. La exposición a temperaturas fuera del rango recomendado también puede reducir la vida útil y el rendimiento de la batería.



- Utilice y guarde la batería únicamente a una temperatura ambiente de 14 °F a 122 °F (-10 °C a 50 °C).
- No guarde la batería en un lugar con luz solar directa ni dentro de un vehículo en climas calurosos.
- Para reducir el riesgo de lesiones personales o daños a la propiedad en caso de que la batería emane humo o un olor inusual, o esté más caliente de lo habitual durante el uso, la carga o el almacenamiento:
 - Inmediatamente deje de usar o cargar la batería. Prepárese para ponerse en contacto con las autoridades en caso de incendio o explosión.
- Para reducir el riesgo de cortocircuito, que podría causar una descarga eléctrica, un incendio o una explosión:



- No moje la batería. Protéjalo de la lluvia, el agua, los líquidos y las condiciones de humedad.
- Nunca sumerja la batería en agua u otros líquidos.
- Nunca coloque un puente entre los contactos de la batería con cables u otros objetos metálicos.
- Mantenga las baterías en desuso alejadas de objetos metálicos (por ejemplo, presillas de papel, clavos, monedas, llaves).
- Nunca transporte o guarde la batería en un recipiente metálico.
- Guarde la batería bajo techo, en un lugar seco.
- Nunca guarde la batería en entornos húmedos o corrosivos, o en condiciones que podrían generar la corrosión de sus componentes metálicos.
- Nunca guarde la batería en el soplador o el cargador.

- Proteja la batería de la exposición a agentes corrosivos, como productos químicos de jardinería y sales de deshielo.
- No intente reparar, abrir o desarmar la batería. No contiene en su interior piezas que el usuario pueda reparar.

- El líquido que se escapa de la batería puede irritar la piel y los ojos, y causar quemaduras.
 - Evite el contacto con la piel y los ojos.
 - Use un absorbente inerte, como arena, sobre los líquidos derramados.
 - En caso de contacto accidental, lave el área de contacto inmediatamente con agua y un jabón suave.
 - Si entra líquido en los ojos: No se frote. Enjuague el ojo abierto con agua por al menos 15 minutos y busque atención médica.
- Un incendio de batería puede ser peligroso. Para reducir el riesgo de lesiones personales graves y daños a la propiedad en caso de incendio:
 - Evacúe el área. El fuego se puede propagar rápidamente. Manténgase alejado de los vapores generados y mantenga una distancia segura.
 - Póngase en contacto con el departamento de bomberos.
 - Aunque se puede usar agua para apagar el fuego si una batería se incendia, es preferible usar un extintor de incendios de polvo químico multiuso.
 - Consulte al departamento de bomberos acerca de cómo desechar correctamente la batería quemada.
- Caída de la batería puede causar lesiones personales o daños a la propiedad. Para prevenir la caída de la batería durante el retiro:
 - Coloque el soplador en una superficie nivelada.
 - Ubique la mano detrás de la batería y presione la palanca de bloqueo. Tenga cuidado al sacar la batería.

7 Seguridad del cargador

7.1 Advertencias e instrucciones

⚠ ADVERTENCIA

- Para reducir el riesgo de incendios, descargas eléctricas u otras lesiones personales o daños a la propiedad:

- Lea y respete todas las marcas de precaución del cargador, de la batería y del soplador, y todas las instrucciones de este manual antes de usar el cargador.
- Cargue solamente baterías originales STIHL AK o STIHL AP. Otras baterías podrían romperse, incendiarse o explotar y causar lesiones personales o daños a la propiedad.



- Para uso en interior únicamente.
- No moje el cargador. Protéjalo de la lluvia, el agua, los líquidos y las condiciones de humedad. No inserte una batería mojada ni use el cargador si está mojado.
- No toque el cargador, el cordón eléctrico ni el enchufe con las manos mojadas.
- Nunca use el cargador si está roto.
- Nunca cargue baterías defectuosas, dañadas, agrietadas, deformadas o que pierdan líquido.
- Nunca guarde una batería en el cargador.
- Utilice el cargador bajo techo, únicamente en recintos secos, y a una temperatura ambiente de 41 °F a 104 °F (5 °C a 40 °C).
- Mantenga el cargador fuera del alcance de los niños.
- Siempre enchufe el cargador en un tomacorriente de pared instalado correctamente, que tenga los mismos voltaje y frecuencia eléctrica que se indican en el cargador.

- Nunca use zapatillas eléctricas para hacer funcionar varios cargadores u otros dispositivos desde el mismo tomacorriente o que formen parte del mismo circuito.
- No opere el cargador si este ha recibido un fuerte golpe, o se ha caído o dañado de cualquier otro modo.
- No intente reparar, abrir o desarmar el cargador. No contiene en su interior piezas que el usuario pueda reparar.

- Para reducir el riesgo de descarga eléctrica o incendio debido a un cortocircuito:
 - Asegúrese de que la batería y el cargador estén completamente secos antes de iniciar el proceso de carga.
 - Nunca coloque un puente entre los contactos del cargador con cables u otros objetos metálicos.
 - No inserte ningún objeto en las ranuras de enfriamiento del cargador.
- El cargador se calienta durante el proceso de carga. Para reducir el riesgo de incendios:
 - No haga funcionar el cargador sobre superficies que puedan incendiarse (por ejemplo, papel, cartón o telas) o en un entorno combustible.
 - Deje que el cargador se enfríe por sí solo. No lo cubra.
- Los cargadores pueden producir chispas que pueden encender los gases, líquidos, vapores, polvos u otros materiales combustibles. Para reducir el riesgo de incendio y explosión:
 - No haga funcionar en un lugar donde haya gases, líquidos, vapores, polvos u otros materiales combustibles.
- Usar un cordón eléctrico o un enchufe dañado puede provocar incendios, descargas eléctricas y otras lesiones personales o daños a la propiedad. Para reducir estos riesgos:



- Revise regularmente el cordón eléctrico y el enchufe del cargador en busca de daños. Si están dañados, desconecte el enchufe del tomacorriente de pared inmediatamente.
- Reemplace el cargador si el cordón eléctrico se daña. El cordón eléctrico no se puede reparar ni reemplazar.
- Desenchufe el cordón eléctrico del tomacorriente cuando el cargador no esté en uso.
- Nunca tire del cordón eléctrico para desconectarlo del tomacorriente de pared. Para desenchufarlo, sujete el enchufe y no el cordón.
- No use el cordón eléctrico para ningún otro fin, por ejemplo, para transportar o sostener el cargador.
- Asegúrese de que el cordón eléctrico esté ubicado o marcado como para que no se lo pise, cause tropiezos, esté en contacto con objetos cortantes o partes móviles, o de otro modo sujeto a daño o esfuerzo.
- No debería usarse un alargador a menos que sea absolutamente necesario. Sobrecargar un alargador puede provocar sobrecalentamiento e incendio. Si es imprescindible utilizar un alargador:
 - Solamente emplee un alargador debidamente formado con alambres calibre 16 (AWG 16) o de mayor calibre.
 - Nunca conecte más de un cargador u otro dispositivo a un alargador.
 - Nunca use un alargador cuyo vataje sea inferior al indicado en la chapa de especificaciones del cargador.
 - Nunca use un alargador si las clavijas del enchufe difieren de las clavijas del enchufe del cargador en cuanto a la cantidad, el tamaño o la forma.
 - No una alargadores entre sí.

- En caso de incendio o si el cargador o la batería emana humo, un olor inusual, está caliente al tacto o tiene un aspecto anormal durante el proceso de carga:
 - Desconecte inmediatamente el cargador del tomacorriente y comuníquese con las autoridades pertinentes en caso de incendio o explosión.

8 Mantenimiento, reparación y almacenamiento

8.1 Advertencias e instrucciones

⚠ ADVERTENCIA

- La batería, el cargador o el soplador no contienen piezas que el usuario esté autorizado a reparar. Para reducir el riesgo de incendios, descargas eléctricas u otras lesiones personales y daños a la propiedad:
 - Los usuarios deben efectuar únicamente los trabajos de mantenimiento y limpieza descritos en este manual. Los usuarios no deben realizar ningún otro trabajo de limpieza, mantenimiento o reparación.
 - Siga precisamente las instrucciones de limpieza y mantenimiento dadas en las secciones correspondientes de este manual de instrucciones. Consulte también la tabla de mantenimiento en este manual.
 - STIHL recomienda que un concesionario de servicio STIHL autorizado efectúe todos los trabajos de reparación.
- El arranque accidental puede causar lesiones personales o daños a la propiedad.



- Quite la batería antes de inspeccionar el soplador o realizar alguna tarea de limpieza, mantenimiento o reparación, antes del almacenamiento y cuando el soplador no esté en uso.

- El uso de piezas no autorizadas o aprobadas por STIHL puede causar lesiones graves o mortales y daños a la propiedad.
 - STIHL recomienda que solo se usen piezas de repuesto STIHL autorizadas para la reparación o el mantenimiento.
- Para reducir el riesgo de descarga eléctrica:
 - Desenchufe el cargador del tomacorriente de pared antes de inspeccionar o limpiar el cargador.
 - Revise regularmente el cargador y asegúrese de que el aislamiento del cordón eléctrico y el enchufe del cargador estén en buenas condiciones y no muestren signos de deterioro (fragilidad), desgaste o daño.
 - Reemplace el cargador si el cordón eléctrico se desgasta o daña. El cordón eléctrico no se puede reparar ni reemplazar.
- Para reducir el riesgo de cortocircuitos e incendios:
 - Mantenga las ranuras de la batería libres de materia extraña. Limpie según sea necesario. 📖 21.
- El almacenamiento incorrecto puede provocar un uso no autorizado; daños al soplador, la batería y el cargador; y un aumento del riesgo de incendio, descarga eléctrica y otras lesiones personales o daños a la propiedad.
 - Retire la batería del soplador antes de almacenarlo.
 - Nunca guarde el soplador y el cargador con la batería puesta.
 - Antes de guardar el soplador, siempre desenchufe el cargador del tomacorriente de pared y quite la batería.
 - Guarde el soplador, la batería y el cargador bajo techo en un lugar seco y seguro al que los niños y otras personas no autorizadas no puedan acceder.
 - Nunca guarde la batería en el soplador, el cargador o un recipiente metálico.

9 Advertencias e instrucciones generales

9.1 Advertencias de seguridad e instrucciones generales para productos alimentados por baterías

Esta sección contiene las advertencias de seguridad generales e instrucciones para productos de baterías contenidas en las normas UL 2595 y CSA C22.2 N° 0.23.

⚠️ ADVERTENCIA

- Lea todas las advertencias de seguridad y todas las instrucciones.
- Si no se siguen todas las advertencias e instrucciones se podrían producir sacudidas eléctricas, incendios, explosiones y/o lesiones graves o daños a la propiedad.
- Evite los arranques accidentales. Asegúrese de que el gatillo se encuentre en la posición de apagado antes de insertar la batería, levantar o transportar el soplador. Transportar el soplador con el dedo en el gatillo o insertar la batería con el gatillo activado aumenta la probabilidad de que se produzcan un arranque imprevisto y accidentes.
- Retire la batería del soplador antes de realizar ajustes, cambiar los accesorios o guardar el soplador. Estas medidas preventivas de seguridad reducen el riesgo de arrancar el soplador por accidente.
- Recargue la batería únicamente con el cargador especificado por STIHL. Un cargador adecuado para un tipo de baterías puede crear un riesgo de incendios si se lo utiliza con un tipo de baterías diferente.
- Utilice el soplador únicamente con las baterías específicamente designadas para la herramienta. El uso de baterías diferentes puede crear un riesgo de incendio o explosión y lesiones personales o daños a la propiedad.
- Cuando no se utiliza la batería, manténgala alejada de objetos metálicos tales como presillas de papel, monedas, llaves, clavos, tornillos u otros objetos




pequeños que pudieran formar una conexión entre los terminales de las baterías. No la almacene en un envase metálico. Un cortocircuito entre los terminales de batería puede causar quemaduras, un incendio o una explosión.

- En condiciones de maltrato, se podría expulsar líquido de la batería; evite el contacto con esta. Si ocurre el contacto accidental, lave la zona con agua. Si el líquido entra en contacto con los ojos, busque atención médica. Los líquidos expulsados de la batería pueden causar irritación, quemaduras químicas o malestares respiratorios debido a la inhalación.
- No utilice una batería o un soplador que presente daños o modificaciones. Las baterías con daños o modificaciones pueden tener un comportamiento impredecible que cause incendios, explosiones y riesgo de lesiones o daños a la propiedad.
- No exponga la batería ni el soplador al fuego ni a temperaturas excesivas. La exposición al fuego o a temperaturas superiores a 100 °C (212 °F) puede causar un incendio o una explosión.
- Siga todas las instrucciones de carga y no cargue la batería fuera del intervalo de temperaturas ambiente que se especifica. La carga indebida o efectuada fuera del intervalo especificado puede dañar la batería y aumentar el riesgo de incendios.
- El mantenimiento deberá efectuarlo únicamente un técnico calificado, utilizando piezas de repuesto autorizadas. Esto le ayudará a preservar la seguridad y el rendimiento del producto.
- No modifique ni intente reparar el soplador o la batería. Siga las instrucciones de uso y cuidado.

10 Antes de empezar a trabajar

10.1 Preparación del soplador para el funcionamiento




Antes de empezar a trabajar:

- ▶ Cargue la batería completamente.  11.
- ▶ Instale la boquilla.  13.1.
- ▶ Verifique los controles para la función y la condición adecuada.  16.


11 Carga de la batería

11.1 Preparación del cargador para el funcionamiento

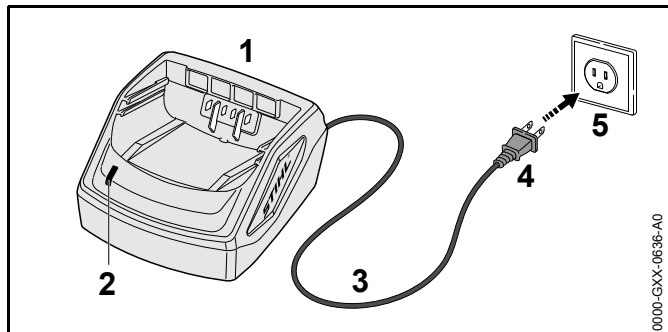
ADVERTENCIA

Lea y siga las precauciones e instrucciones de seguridad de la batería y del cargador en este manual  6 y  7. Entre otras cosas: Asegúrese de que el cargador y sus componentes estén secos y sanos, y haga funcionar el cargador bajo techo, a una temperatura ambiente adecuada,  7.

ADVERTENCIA

Dado que la batería y el cargador se calientan durante el proceso de carga, no haga funcionar el cargador sobre superficies que puedan incendiarse o en un lugar donde haya vapores, líquidos, polvo u otros materiales y sustancias combustibles.  7.

Para preparar el cargador para el funcionamiento:



- ▶ Inserte el enchufe (4) en un tomacorriente de pared correctamente instalado (5), que tenga el mismo voltaje y frecuencia eléctrica indicados en la placa de capacidad nominal del cargador (1).


El cargador ejecutará una autoprueba inmediatamente después de enchufarlo. El LED del cargador (2) se iluminará en verde durante 1 segundo aproximadamente, y luego en rojo por un lapso breve hasta apagarse. Una vez que la autoprueba finaliza, el cargador queda listo para cargar la batería.

- ▶ Ubique el cordón eléctrico (3) como para que no se lo pise, cause tropiezos, esté en contacto con objetos cortantes o partes móviles o, de otro modo sujeto, a daño o esfuerzo.

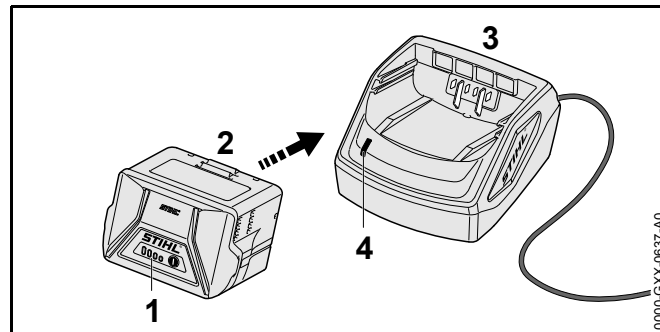
11.2 Cargador

ADVERTENCIA

Nunca cargue una batería defectuosa, dañada, agrietada, deformada o que pierda líquido. Para uso en interior únicamente. No moje el cargador. Protéjalo de la lluvia, el agua, los líquidos y las condiciones de humedad. Nunca coloque ni utilice una batería o un cargador mojados.

 11.2.

Para cargar la batería:



- ▶ Inserte la batería (2) en el cargador (3) hasta que haga tope. El LED del cargador (4) se ilumina en verde cuando la batería se está cargando.

Los LED (1) de la batería se iluminan en verde e indican el estado de la carga.

Cuando se apagan los LED de la batería, el proceso de carga está finalizado y el cargador se apagará a sí mismo.

- ▶ Retire la batería del cargador y desconecte el cordón eléctrico del tomacorriente de pared cuando se haya finalizado la carga.

Una batería de fábrica nueva no está completamente cargada. STIHL recomienda cargar completamente la batería antes de usarla por primera vez.

Utilice el cargador bajo techo, únicamente en recintos secos, y a una temperatura ambiente de 41 °F a 104 °F (5 °C a 40 °C).

La batería se calienta durante el funcionamiento del soplador. Si se coloca una batería caliente dentro del cargador, posiblemente habrá que dejarla enfriar antes de cargarla. El proceso de carga comienza únicamente cuando la batería está fría suficientemente.

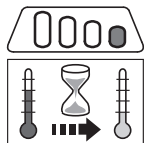
El tiempo de carga depende de varios factores, tales como el estado de la batería y la temperatura ambiente. Para obtener una lista completa de tiempos de carga aproximados, visite www.stihl.com/charging-times.

12 Diagnóstico de LED

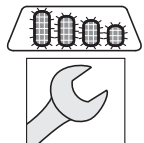
12.1 LED en la batería

12.1.1 Estado de la batería

Cuatro LED muestran el estado de la batería. Estos LED pueden encenderse o destellar en verde o rojo.



Si un LED se enciende en rojo continuamente, la batería está demasiado caliente o demasiado fría. Deje que la batería se caliente o se enfríe gradualmente a una temperatura ambiente de aproximadamente 10 °C a 20 °C (50 °F a 68 °F).



Si los cuatro LED destellan en rojo, la batería está averiada y debe reemplazarse. No intente cargar o usar la batería.

12.1.2 Estado del soplador

Cuando la batería se coloca en el soplador, los mismos LED en la batería indicarán el estado del soplador.

Si los tres LED se encienden en rojo continuamente, el motor del soplador está demasiado caliente. Deje que el motor se enfríe.

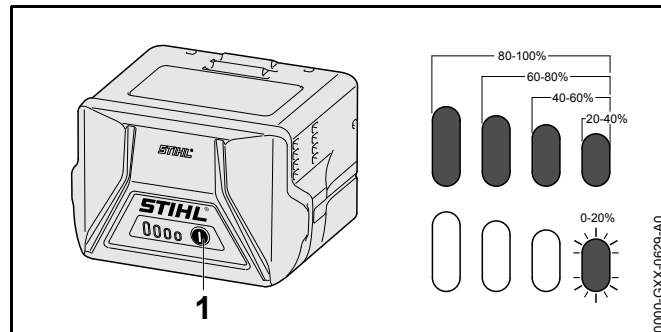
Si tres LED destellan en rojo cuando activa el gatillo, el soplador tiene un defecto eléctrico. No opere el soplador. Solicite a un concesionario de servicio STIHL autorizado que lo revise antes de usarlo.

Para obtener más información, 23.

12.1.3 Estado de carga

Los LED en la batería también muestran el estado de carga de la batería.

Para determinar el estado de carga de la batería:



- Presione el botón (1) en la batería. Los LED de la batería se encenderán o destellarán en verde por unos 5 segundos e indicarán el estado de carga (vea la ilustración).

Por ejemplo:

Si cuatro LED se encienden en verde continuamente, la carga está completa.

Si un LED destella en verde, queda menos del 20 % de la carga.

12.2 LED del cargador

El estado del cargador se indica mediante un LED. El LED puede iluminarse en verde o destellar en rojo.



Si el LED se ilumina continuamente en verde: la batería se está cargando.

o

La batería está muy caliente o muy fría para cargarse. Para determinar la condición de la batería, revise los LED de la batería. Si hay una luz roja iluminada, deje que la batería se caliente o se enfríe gradualmente a una temperatura ambiente de aproximadamente 50 °F a 68 °F (10 °C a 20 °C).



Si el LED destella en rojo: no hay contacto eléctrico entre la batería y el cargador. Retire y vuelva a colocar la batería.

o

La batería está averiada y es necesario reemplazarla. Verifique que en la batería destellen 4 LED rojos. No intente usarla.

o

El cargador está averiado. Solicite a un concesionario de servicio STIHL autorizado que lo revise antes de usarlo.

Para obtener más información, 23.

13 Armado del soplador

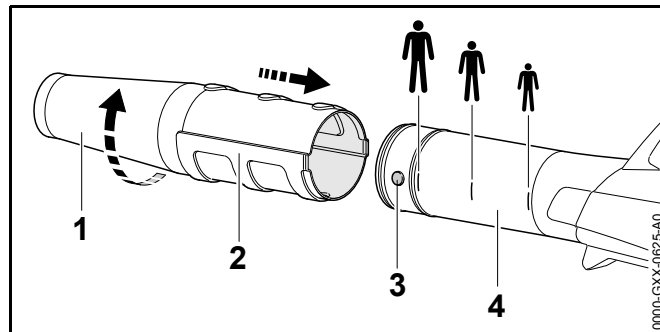
13.1 Instalación y ajuste de la boquilla

ADVERTENCIA

Antes de comenzar la instalación, asegúrese de que la batería no esté colocada. Nunca opere el soplador si el tubo y la boquilla están mal instalados. 5.6.4. Use solo los accesorios suministrados o expresamente aprobados por STIHL. 5.5.

La boquilla se puede instalar en el tubo del soplador en tres posiciones para adaptar la herramienta a la altura y el alcance del usuario. Las posiciones están marcadas en el tubo del soplador.

Para instalar la boquilla:



- ▶ Alinee las pestañas de montaje de la boquilla (3) con las ranuras de la boquilla (2) y empuje la boquilla (1) para insertarla en el tubo del soplador (4).
- ▶ Gire la boquilla (1) en el sentido de la flecha hasta que haga tope. La boquilla (1) debe bloquearse en su posición.
- ▶ Para retirar la boquilla (1), invierta el orden de los pasos descritos.

14 Colocación y extracción de la batería.

14.1 Colocación de la batería

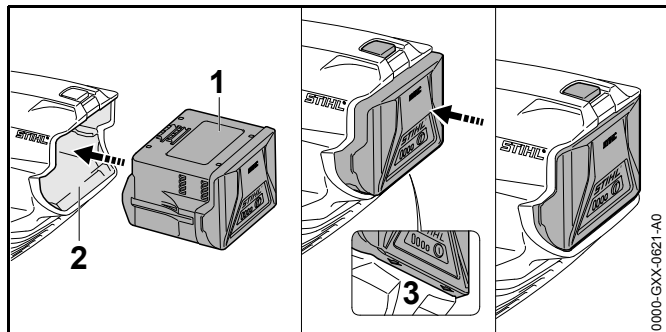
ADVERTENCIA

Nunca use una batería defectuosa, dañada, agrietada, deformada o que pierda líquido. 6.1. Utilice y guarde la batería únicamente a una temperatura ambiente de 14 °F a 122 °F (-10 °C a 50 °C). 6.1.

ADVERTENCIA

Para reducir el riesgo de activación accidental, nunca guarde la batería en el soplador. 20.2.

Para colocar la batería:



- ▶ Coloque el soplador en una superficie nivelada.
- ▶ Coloque la batería (1) en el compartimento correspondiente (2) hasta que se escuche un clic. En esta posición, las flechas (3) en la batería todavía están visibles y la batería se bloquea en el compartimento. Sin embargo, no hay contacto eléctrico entre la batería y el soplador.
- ▶ Para suministrar energía al soplador, empuje la batería en el compartimento correspondiente hasta que haga tope. La batería se ha colocado correctamente cuando se escucha un segundo clic y esta queda al ras con la parte superior de la carcasa. En esta posición, hay contacto eléctrico entre la batería y el soplador.

Debido a que las baterías nuevas no están completamente cargadas, STIHL recomienda cargarlas por completo antes de usarlas por primera vez. 11.

14.2 Extracción de la batería

ADVERTENCIA

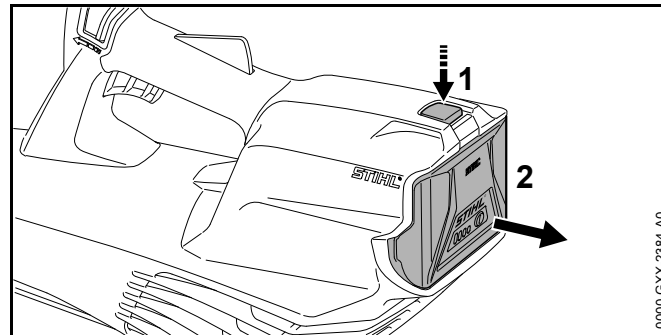
Para reducir el riesgo de lesiones personales graves debido a la activación accidental, siempre quite la batería antes de armar, transportar, ajustar, limpiar, reparar o guardar el soplador o cuando no esté en uso.

ADVERTENCIA

Tenga cuidado al sacar la batería para evitar que se caiga y cause daños a la propiedad o lesiones personales.

Para quitar la batería:

- ▶ Suelte el gatillo.
- ▶ Coloque el soplador en una superficie nivelada.
- ▶ Ubique la mano detrás de la batería.



- ▶ Presione la palanca de bloqueo (1) para expulsar la batería (2) de su compartimento.

INDICACIÓN

Evite exponer la batería a calor excesivo o períodos prolongados de luz directa. El uso o el almacenamiento fuera del rango de temperatura ambiente recomendado pueden reducir el rendimiento o la vida útil de la batería.

15 Encendido y apagado del soplador

15.1 Encendido

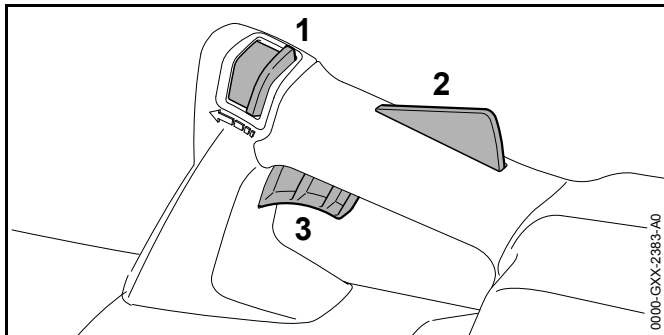
ADVERTENCIA

Nunca opere el soplador si está dañado, mal ajustado o reparado, no fue armado completa y debidamente o no funciona de manera correcta. 15.1. Para reducir el riesgo de lesiones personales, use siempre ropa adecuada y trajes protectores, incluso protección adecuada para los ojos cuando utiliza el soplador. 5.4.

Al encender el soplador:

- ▶ Asegúrese de tener los pies bien apoyados.
- ▶ Párese derecho.
- ▶ Siempre sostenga y maneje el soplador colocando firmemente una mano en el mango de control.

Para encender el soplador:



- ▶ Desbloquee el pestillo de retención (1) presionándolo hacia adelante con el pulgar. Manténgalo en esta posición de desbloqueo.
- ▶ Mantenga presionado el desbloqueo del gatillo (2). El pestillo de retención se puede soltar y se mantendrá en la posición de desbloqueo.
- ▶ Oprima el gatillo (3) con el dedo índice. Comenzará a salir aire.

El motor no se pondrá en marcha a menos que el pestillo de retención esté desbloqueado y el bloqueo del gatillo y el gatillo se opriman al mismo tiempo.

15.2 Apagado

ADVERTENCIA

Para reducir el riesgo de lesiones personales causadas por la activación accidental o el uso no autorizado, apague el motor y retire la batería antes de transportar o de bajar el soplador.

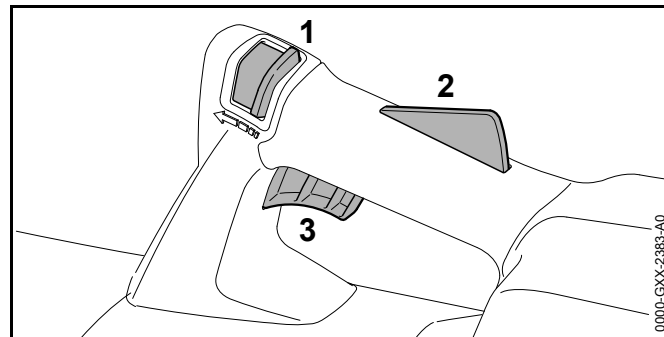
Para apagar el soplador:

- ▶ Suelte el gatillo y el bloqueo del gatillo. Cuando haya soltado el gatillo y el bloqueo del gatillo, el pestillo de retención volverá a la posición de bloqueo y se bloqueará la activación del gatillo.

16 Revisión de los controles

16.1 Prueba de los controles

Antes de comenzar a trabajar, confirme que el pestillo de retención (1), el bloqueo del gatillo (2) y el gatillo (3) estén libres de daños y funcionen correctamente.



Pestillo de retención (1), bloqueo del gatillo (2) y gatillo (3)

ADVERTENCIA

Para reducir el riesgo de lesiones causadas por objetos lanzados, siempre use protección adecuada para los ojos mientras prueba los controles. Mantenga a las demás personas a no menos de 5 m (16 pies) de distancia.

Para probar los controles:

- ▶ Retire la batería.
- ▶ Desbloquee el pestillo de retención al presionarlo hacia adelante con el pulgar.
- ▶ Mantenga el pestillo de retención en la posición de desbloqueo.

- ▶ Presione el bloqueo del gatillo y el gatillo momentáneamente.
- ▶ Suelte el pestillo de retención, el bloqueo del gatillo y el gatillo.
El pestillo de retención, el bloqueo del gatillo y el gatillo deben volver a sus respectivas posiciones de bloqueo. Si no lo hacen, lleve el soplador a un concesionario de servicio STIHL autorizado para que lo reparen antes de utilizarlo.

Si el gatillo se puede accionar sin antes desbloquear el pestillo de retención y oprimir el bloqueo del pestillo, lleve el soplador a un concesionario de servicio STIHL autorizado para que lo reparen antes de utilizarlo.



- ▶ Inserte la batería.
- ▶ Sostenga el soplador firmemente y desbloquee el pestillo de retención. Presione el bloqueo del gatillo y el gatillo momentáneamente.
El soplador se encenderá. Si no lo hace, llévalo a un concesionario de servicio STIHL autorizado para que lo reparen antes de utilizarlo.
- ▶ Suelte el gatillo.
El soplador se apagará.


Si el soplador no se apaga después de soltar el gatillo, retire la batería y lleve el soplador a un concesionario de servicio STIHL autorizado para que lo reparen antes de utilizarlo.

17 Durante el funcionamiento

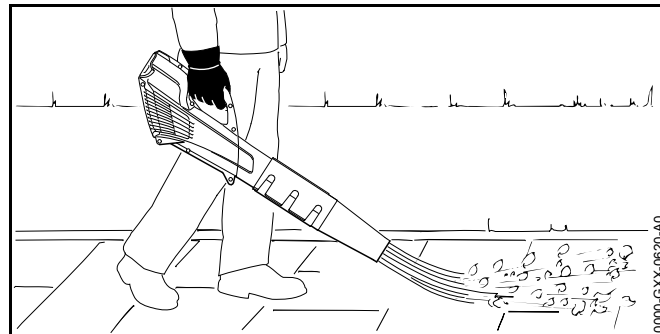
17.1 Uso del soplador

! ADVERTENCIA

Para reducir el riesgo de sufrir lesiones personales, nunca opere el soplador bajo la lluvia o en condiciones muy húmedas.  5.5. Siempre use ropa adecuada y trajes protectores, incluidas gafas protectoras adecuadas.  5.4. Nunca dirija el chorro de aire hacia otras personas. Mantenga a las demás personas a no menos de 5 m

(16 pies) de distancia de la zona de trabajo.  5.6.4. Trabaje con cuidado y mantenga un control adecuado del soplador.

El soplador ha sido diseñado para usarse con una sola mano, con la mano derecha o la izquierda.



- ▶ Sostenga la unidad firmemente con la mano, envolviendo los dedos en el mango.
- ▶ Apunte el chorro de aire a los bordes de la pila de material que soplará.

INDICACIÓN

Nunca dirija el chorro de aire hacia otros objetos, como vehículos o ventanas, que se encuentren a menos de 5 m (16 pies) de distancia.

Respete todas las leyes, disposiciones, reglamentos y normas del caso.



18 Después de completar el trabajo

18.1 Preparación para el transporte o el almacenamiento

! ADVERTENCIA

Para reducir el riesgo de lesiones personales causadas por la activación accidental o el uso no autorizado, apague el motor y retire la batería antes de transportar o de bajar el soplador.

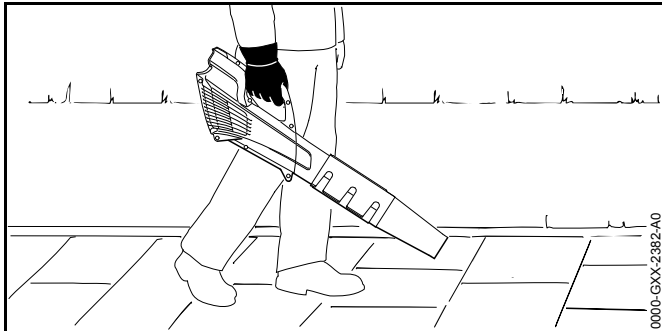
Para preparar el soplador para el transporte o el almacenamiento:

- ▶ Apague el soplador.  15.2.
- ▶ Retire la batería.  14.2.
- ▶ Si la batería o el soplador se humedecieron durante el funcionamiento, déjelos secar por separado y por completo antes de cargarlos o guardarlos.

19 Transporte del soplador y de la batería

19.1 Soplador


Al transportar el soplador:



- ▶ Cuando transporte el soplador manualmente, sosténgalo del mango de control.
- ▶ Cuando transporte el soplador en un vehículo, fíjelo y ubíquelo de modo que no se tumbe, se golpee o se dañe.

19.2 Batería

ADVERTENCIA

Para reducir el riesgo de cortocircuito, que podría generar una descarga eléctrica, un incendio o una explosión, nunca transporte la batería en un contenedor metálico o cerca de objetos de metal (por ejemplo, presillas de papel, clavos, monedas, llaves).  6.1.

Al transportar la batería:

- ▶ Coloque la batería en un contenedor o una caja no metálicos y protéjala de impactos o daños. Nunca transporte la batería en un contenedor que pueda conducir electricidad.
- ▶ Si transporta la batería en un vehículo, asegúrela junto con su contenedor para prevenir vuelcos, impactos y daños.

Las baterías STIHL cumplen con los requisitos descritos en el Manual UN ST/SG/AC.10/11/Ver.5/Parte III, Subsección 38.3.

El transporte comercial por aire, agua y tierra de celdas de ion de litio y baterías está regulado. Esta batería está clasificada como un producto UN 3480, Clase 9 y grupo de envasado II. Para transportarla, ya sea como parte de la herramienta completa o sola, es necesario cumplir con todas las normas de transporte correspondientes. Antes del transporte o traslado, consulte con la empresa de transporte por tierra o agua, o bien con la aerolínea de carga o pasajeros, para determinar si el transporte está prohibido o sujeto a restricciones o exenciones.

Por lo general, el usuario no necesita cumplir con ninguna condición adicional para poder transportar baterías STIHL por carretera hasta el sitio donde se encuentra la herramienta eléctrica. Verifique y respete cualquier norma especial que pudiera aplicarse a su situación.

Para obtener más información, visite www.stihlusa.com/battery-transportation-safety (para Canadá: www.stihl.ca).

20 Almacenamiento del soplador, la batería y el cargador


20.1 Soplador

ADVERTENCIA

Guarde el soplador bajo techo, en un lugar seco y bajo llave al que los niños y otras personas no autorizadas no puedan acceder. Nunca guarde la batería en el soplador o el cargador. El almacenamiento inadecuado puede provocar



uso no autorizado, daños al soplador que pueden ocasionar incendio y explosión, y aumento del riesgo de lesiones personales graves y daños a la propiedad.

Al guardar el soplador:



- ▶ Limpie el soplador.  21.
- ▶ Guarde el soplador bajo techo, en un lugar seco y bajo llave, fuera del alcance de los niños y de otras personas no autorizadas.

20.2 Batería

ADVERTENCIA

Para reducir el riesgo de cortocircuito, que podría generar una descarga eléctrica, un incendio o una explosión, nunca guarde la batería en un contenedor metálico o cerca de objetos de metal.  8.1. Si la batería está húmeda o mojada, déjela que se seque completamente antes de guardarla.  6.1.

ADVERTENCIA

Las altas temperaturas pueden dañar la batería, lo que podría causar la pérdida de rendimiento y acortar su vida útil. También pueden hacer que la batería genere calor, se rompa, pierda líquido, se incendie o explote, lo que podría causar lesiones personales graves o fatales y daño a la propiedad. Utilice y guarde la batería únicamente a una temperatura ambiente de 14 °F a 122 °F (-10 °C a 50 °C).  6.1. No guarde la batería en un lugar con luz solar directa ni dentro de un vehículo en climas calurosos.  6.1.



Para almacenar la batería correctamente:

- ▶ Extraiga la batería del soplador o del cargador.
- ▶ Guarde la batería bajo techo, en un lugar seco y seguro.
- ▶ Mantenga la batería fuera del alcance de los niños y de otras personas no autorizadas.
- ▶ Proteja la batería contra la humedad y los agentes corrosivos, como productos químicos de jardinería y sales de deshielo.

- ▶ Para obtener la duración máxima de la batería, guárdela en una temperatura ambiente de entre 10 °C y 20 °C (50 °F y 68 °F) con una carga de entre el 40 % (2 LED iluminados en verde) y el 80 % (3 LED iluminados en verde).
- ▶ No deje sueltas las baterías que no se utilizan. Rótelas.

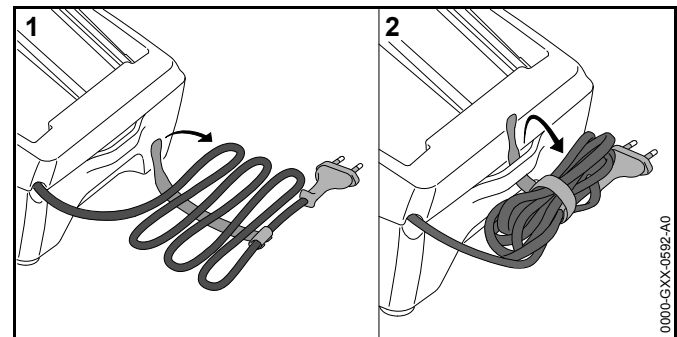
20.3 Cargador

ADVERTENCIA

Guarde el cargador bajo techo, en un lugar seco y bajo llave al que los niños y otras personas no autorizadas no puedan acceder.  7. El almacenamiento inadecuado puede provocar uso no autorizado, uso incorrecto o daños al cargador que pueden ocasionar incendio y aumento del riesgo de lesiones personales graves y daños a la propiedad.  7.

Para almacenar el cargador correctamente:

- ▶ Retire la batería del cargador.
- ▶ Desconecte el cargador del tomacorriente de pared.




- ▶ Enrolle el cordón eléctrico y sujételo al cargador.
- ▶ Guarde el cargador bajo techo, en un lugar seco y bajo llave.
- ▶ Mantenga el cargador fuera del alcance de los niños y de otras personas no autorizadas.

21 Limpieza

21.1 Limpieza del soplador, la batería y el cargador

ADVERTENCIA

Para reducir el riesgo de lesiones personales por la activación accidental, quite la batería antes de realizar el trabajo de limpieza.  8.1. Los usuarios de este soplador deben efectuar únicamente la limpieza descrita en este manual.

- ▶ Limpie la rejilla de admisión cuidadosamente con un cepillo de cerdas suaves cuando sea necesario.
- ▶ Limpie los componentes plásticos del soplador con un paño levemente humedecido. No use detergentes o solventes. Estos pueden dañar los componentes de polímero.
- ▶ No utilice una hidrolavadora para limpiar el soplador ni lo rocíe con agua u otros líquidos.
- ▶ Mantenga la carcasa de la batería y las guías sin materias extrañas y limpie según sea necesario con un cepillo suave o un paño suave y seco.
- ▶ Mantenga la carcasa y los contactos eléctricos del cargador libres de materias extrañas. Efectúe la limpieza necesaria con un cepillo suave o un paño suave y seco. Siempre desenchufe el cargador antes de limpiarlo.

para los usuarios. STIHL recomienda que los concesionarios de servicio STIHL autorizados efectúen los trabajos de reparación.

Para realizar el mantenimiento correcto del soplador:


- ▶ Revise la rejilla de admisión del soplador y reemplácela si está dañada.
- ▶ Si las etiquetas de seguridad están dañadas o faltan, solicite etiquetas de repuesto a un concesionario de servicio STIHL autorizado.

Si usted está reclamando cobertura de garantía para algún componente que no ha sido reparado o mantenido debidamente, es posible que se deniegue la garantía.

22 Inspección y mantenimiento

22.1 Inspección y mantenimiento del soplador









ADVERTENCIA

Para reducir el riesgo de lesiones personales causadas por la activación accidental, quite la batería antes de inspeccionar el soplador o realizar cualquier mantenimiento.  8.1. Realice únicamente los trabajos de mantenimiento descritos en este manual. No hay reparaciones autorizadas


23 Guía de solución de problemas

23.1 Soplador y batería

Siempre retire la batería antes de realizar algún trabajo de inspección, mantenimiento o limpieza en el soplador.

Condición	LED en batería	Causa	Solución
El soplador no arranca cuando se lo enciende.		No hay contacto eléctrico entre el soplador y la batería.	<ul style="list-style-type: none"> ▶ Retire la batería.  14.2. ▶ Inspeccione visualmente los contactos eléctricos en el compartimiento de la batería y en la batería. ▶ Vuelva a colocar la batería.  14.1.
	Un LED destella en verde.	La batería tiene poca carga.	▶ Cargue la batería.  11.
	Un LED se enciende en rojo.	La batería está muy caliente/fría.	▶ Deje que la batería se caliente o se enfríe gradualmente a temperaturas ambiente de aproximadamente 10 °C a 20 °C (50 °F a 68 °F).
	Cuatro LED destellan en rojo.	La batería funciona mal.	<ul style="list-style-type: none"> ▶ Extraiga la batería y vuelva a colocarla.  14. ▶ Encienda el soplador.  15.1. ▶ Si los LED siguen destellando, no intente usar el soplador. La batería está averiada y es necesario reemplazarla.
	Tres LED se encienden en rojo.	El soplador está muy caliente.	▶ Deje que el soplador se enfríe.
	Tres LED destellan en rojo.	El soplador funciona mal.	<ul style="list-style-type: none"> ▶ Quite la batería y vuelva a colocarla.  14 ▶ Encienda el soplador.  15.1. ▶ Si los LED siguen destellando, no intente usar el soplador. El soplador tiene una avería y debe ser revisado por un concesionario de servicio.
El soplador se apaga durante el funcionamiento.	Un LED se enciende en rojo.	La batería está muy caliente/fría.	<ul style="list-style-type: none"> ▶ Retire la batería.  14.2. ▶ Deje que el soplador y la batería se enfríen gradualmente a temperaturas ambiente de aproximadamente 10 °C a 20 °C (50 °F a 68 °F).
	Tres LED se encienden en rojo.	El soplador está muy caliente.	

Siempre retire la batería antes de realizar algún trabajo de inspección, mantenimiento o limpieza en el soplador.

Condición	LED en batería	Causa	Solución
La duración de uso es demasiado corta.		La batería no está completamente cargada.	► Cargue la batería.  11.
		Se alcanzó o se superó la vida útil de la batería.	► Solicite a un concesionario de servicio STIHL autorizado que revise la batería.
La batería no se carga a pesar de que el LED del cargador se enciende en verde.	Un LED se enciende en rojo.	La batería está muy caliente/fría.	<ul style="list-style-type: none"> ► Deje que la batería se caliente o se enfríe gradualmente a temperaturas ambiente de aproximadamente 10 °C a 20 °C (50 °F a 68 °F). ► Utilice el cargador únicamente en lugares cerrados y secos a temperaturas ambiente de 41 °C a 104 °C (5 °F a 40 °F).

23.2 Cargador

Condición	LED del cargador	Causa	Solución
El LED del cargador destella en rojo.	El LED destella en rojo.	No hay contacto eléctrico entre el cargador y la batería.	► Retire la batería y vuelva a insertarla en el cargador.
		La batería funciona mal.	<ul style="list-style-type: none"> ► Retire la batería y vuelva a insertarla en el cargador. ► Si el LED sigue destellando, no intente cargar la batería. Si los 4 LED de la batería destellan, la batería está averiada y es necesario reemplazarla. De lo contrario, solicite a un concesionario de servicio STIHL autorizado que revise la batería.
		Cargador averiado.	► Solicite a un concesionario de servicio STIHL autorizado que revise el cargador.

24 Especificaciones

24.1 STIHL BGA 56

Destinado para el uso doméstico.

- Tipo de batería aprobada: Serie STIHL AK
- Velocidad máxima del aire: 45 m/s (101 mi/h)
- Peso sin batería: 4,6 lb (2,1 kg)

24.2 Batería STIHL serie AK

Tipo de cargador aprobado: Serie AL STIHL

- Tecnología de la batería: Ion de litio
- Voltaje: 36 V
- Capacidad en Ah: Ver chapa de identificación
- Contenido energético en Wh: Ver chapa de identificación
- Peso en kg: Ver chapa de identificación
- Rango de temperatura ambiente permitido durante el uso o el almacenamiento: 14 °F a 122 °F (-10 °C a 50 °C)


Para obtener una lista completa de tiempos de carga aproximados, visite www.stihl.com/charging-times.

24.3 STIHL AL 101


- Voltaje de alimentación: 120 V
- Corriente nominal: 1,3 A
- Frecuencia: 60 Hz
- Corriente de carga: 1,5 A
- Potencia nominal: 75 W
- Aislamiento: Clase II (aislamiento doble)
- Rango de temperatura ambiente permitido durante la carga: 41 °F a 104 °F (5 °C a 40 °C)


24.4 Símbolos en el soplador, la batería y el cargador



Símbolo	Explicación
V	Voltio
Hz	Hercio
A	Amperio
Ah	Amperio-hora
W	Vatio
Wh	Vatio-hora
AC	Corriente alterna
IP20	Grado de protección eléctrica


 Mantenga presionado el pestillo de retención en esta dirección para desbloquear.


 Corriente continua


 Cantidad de celdas y contenido energético según las especificaciones del fabricante de celdas. El contenido energético disponible en ciertos usos específicos es más bajo.


 Marca de certificación del grupo CSA. Los aparatos que llevan esta marca han sido certificados según normas nacionales por el organismo de certificación externa de CSA.

 Los productos STIHL no se deben desechar junto con la basura del hogar, sino en conformidad con las leyes y normas locales, estatales y federales provistas en este manual.  26.

 El sello de la RBRC indica que STIHL ya aportó dinero para el reciclado de la batería.

 Lea el manual.

 Aislamiento: Clase II (aislamiento doble)

 Úselo y guárdelo bajo techo y en un recinto seco.



Comisión de Energía de California. Este sistema de batería cumple con los requisitos de eficiencia energética de la Comisión de Energía de California.



Código del fabricante

24.5 Declaración de cumplimiento con norma FCC 15 para la herramienta motorizada y el cargador

Este dispositivo cumple con la parte 15 de las normas de la FCC.

El funcionamiento está sujeto a las dos condiciones dadas a continuación:

- este dispositivo no deberá causar interferencias nocivas.
- este dispositivo deberá aceptar todas las interferencias que reciba, incluso las interferencias que pudieran causar un funcionamiento no deseado.

Nota: Este equipo ha sido probado y se ha hallado que satisface los límites correspondientes a un dispositivo digital Categoría B, según la parte 15 de las normas de la FCC. Estos límites están diseñados para ofrecer protección razonable contra las interferencias nocivas en una instalación residencial. Este equipo genera, utiliza y puede irradiar energía a radiofrecuencias y, si no se lo instala y utiliza conforme a las presentes instrucciones, podría causar interferencias nocivas para las comunicaciones por radio. No obstante, no se ofrece garantía alguna de que la interferencia no ocurrirá en una instalación particular.

Si este equipo llega a causar interferencias nocivas para la recepción de señales de radio o televisión, lo cual puede determinarse por medio del encendido y apagado del equipo, se recomienda al usuario corregir las interferencias tomando una o más de las medidas siguientes:

- reoriente o cambie la ubicación de la antena de recepción,
- aumente la separación entre el equipo y el receptor,
- conecte el equipo a un tomacorriente que forme parte de un circuito diferente al cual se ha conectado el receptor,
- consulte a un concesionario de servicio STIHL autorizado o a un técnico de radio/TV experto para recibir ayuda.


No cambie ni modifique este producto en modo alguno, a menos que se le indique específicamente hacerlo en este manual, puesto que podría anular la autoridad de usarlo.

25 Piezas y equipos de repuesto

25.1 Piezas de repuesto originales de STIHL

STIHL recomienda el uso de piezas de repuesto originales de STIHL. Es posible identificar las piezas originales de STIHL por el número de pieza STIHL, el logotipo de

STIHL[®]

y, en ciertos casos, el símbolo  de piezas STIHL. En las piezas pequeñas el símbolo puede aparecer solo.

26 Eliminación

26.1 Eliminación del soplador y el cargador

Los productos STIHL no se deben desechar junto con la basura del hogar, sino de la manera en que se detalla en este manual.

- ▶ Lleve el soplador, el cargador, los accesorios y el embalaje a un vertedero autorizado para reciclarlos y contribuir con el cuidado del medio ambiente.
- ▶ Comuníquese con un concesionario de servicio STIHL autorizado para obtener la información más actualizada sobre eliminación y reciclado.

26.2 Reciclado de las baterías

ADVERTENCIA

Manipule las baterías descargadas/agotadas con cuidado. Aunque parezca que están descargadas, las baterías de ion de litio nunca se descargan completamente y pueden generar una corriente de cortocircuito peligrosa. Si se dañan o exponen a temperaturas altas, pueden perder líquido, generar calor, incendiarse o explotar.

- ▶ Respete todas las leyes y normas federales, estatales y locales sobre eliminación de desechos.
- ▶ Comuníquese con un concesionario de servicio STIHL autorizado para obtener la información más actualizada acerca de la eliminación de desechos.
- ▶ Recicle las baterías agotadas rápidamente.
- ▶ Mantenga las baterías alejadas de los niños. No desarme el producto ni lo incinere.



STIHL está comprometida con el desarrollo de productos que protejan el medio ambiente. Este compromiso no termina cuando el producto sale del concesionario de servicio STIHL autorizado. STIHL se asoció con la RBRC (Corporación de Reciclaje de Baterías Recargables) para fomentar la recolección y el reciclado de baterías de ion de litio STIHL en los Estados Unidos y Canadá.

El sello de la RBRC indica que STIHL ya aportó dinero para el reciclado de la batería. El sello de la RBRC lleva impreso un número telefónico gratuito (1-800-822-8837) que le permite acceder a información sobre lugares de reciclaje de baterías y prohibiciones o restricciones respecto del reciclado de baterías en su zona. También puede devolver las baterías a cualquier concesionario de servicio STIHL autorizado para reciclarlas gratuitamente.

27 Garantía limitada

27.1 Política de garantía limitada de STIHL Incorporated

Este producto se vende sujeto a la Política de garantía limitada de STIHL Incorporated, disponible en <http://www.stihlusa.com/warranty.html>. También puede obtenerlo de un concesionario de servicio STIHL autorizado o llamando al 1-800-GO-STIHL (1-800-467-8445).

28 Marcas comerciales

28.1 Marcas comerciales registradas

STIHL®

STIHL®

G®

La combinación de los colores anaranjado y gris (n.º de registro EE. UU. 2,821,860; 3,010,057; 3,010,058; 3,400,477 y 3,400,476)

AutoCut®

YARD BOSS®

STIHL ROLLOMATIC®

WOOD BOSS®



FARM BOSS®

iCademy®

MAGNUM®

MasterWrench Service®

MotoMix®

OILOMATIC®

Rock Boss®

STIHL Cutquik®

STIHL DUROMATIC®

STIHL Quickstop®

STIHL WOOD BOSS®

TIMBERSPORTS®



28.2 Marcas comerciales por ley común

4-MIX™

BioPlus™

Easy2Start™

EasySpool™

ElastoStart™

Ematic™

STIHL Precision Series™

FixCut™

Micro™

Pro Mark™

Quad Power™

Quiet Line™

STIHL Arctic™

STIHL Compact™

HT Plus™

STIHL PowerSweep™

STIHL Protech™

STIHL MiniBoss™

STIHL MotoPlus 4™

Master Control Lever™

STIHL OUTFITTERS™

STIHL PICCO™

TrimCut™

STIHL M-Tronic™

STIHL HomeScaper Series™

STIHL PolyCut™

STIHL RAPID™

STIHL SuperCut™

STIHL Interchangeable
Attachment Series TM
TapAction TM



STIHL Multi-Cut HomeScaper
Series TM
STIHL Territory TM



Esta lista de marcas comerciales está sujeta a cambios.

Queda terminantemente prohibido todo uso de estas marcas comerciales sin el consentimiento expreso por escrito de ANDREAS STIHL AG & Co. KG, Waiblingen.

29 Direcciones

29.1 STIHL Incorporated

STIHL Incorporated
536 Viking Drive
P.O. Box 2015
Virginia Beach, VA
23452-2015

! WARNING

Use of this blower can disperse dust and other substances containing chemicals known to the State of California to cause cancer, birth defects or other reproductive harm.

! ADVERTENCIA

El uso de este soplador puede dispersar polvo y otras sustancias que contienen productos químicos considerados por el Estado de California como causantes de cáncer, defectos de nacimiento u otra toxicidad reproductora.

! WARNING

This blower, battery and charger contain chemicals known to the State of California to cause cancer, birth defects or other reproductive harm.

! ADVERTENCIA

Este soplador, esta batería y este cargador contienen productos químicos considerados por el Estado de California como causantes de cáncer, defectos de nacimiento u otra toxicidad reproductora.

0458-712-8621-A

englisch / spanisch USA



www.stihl.com



0458-712-8621-A